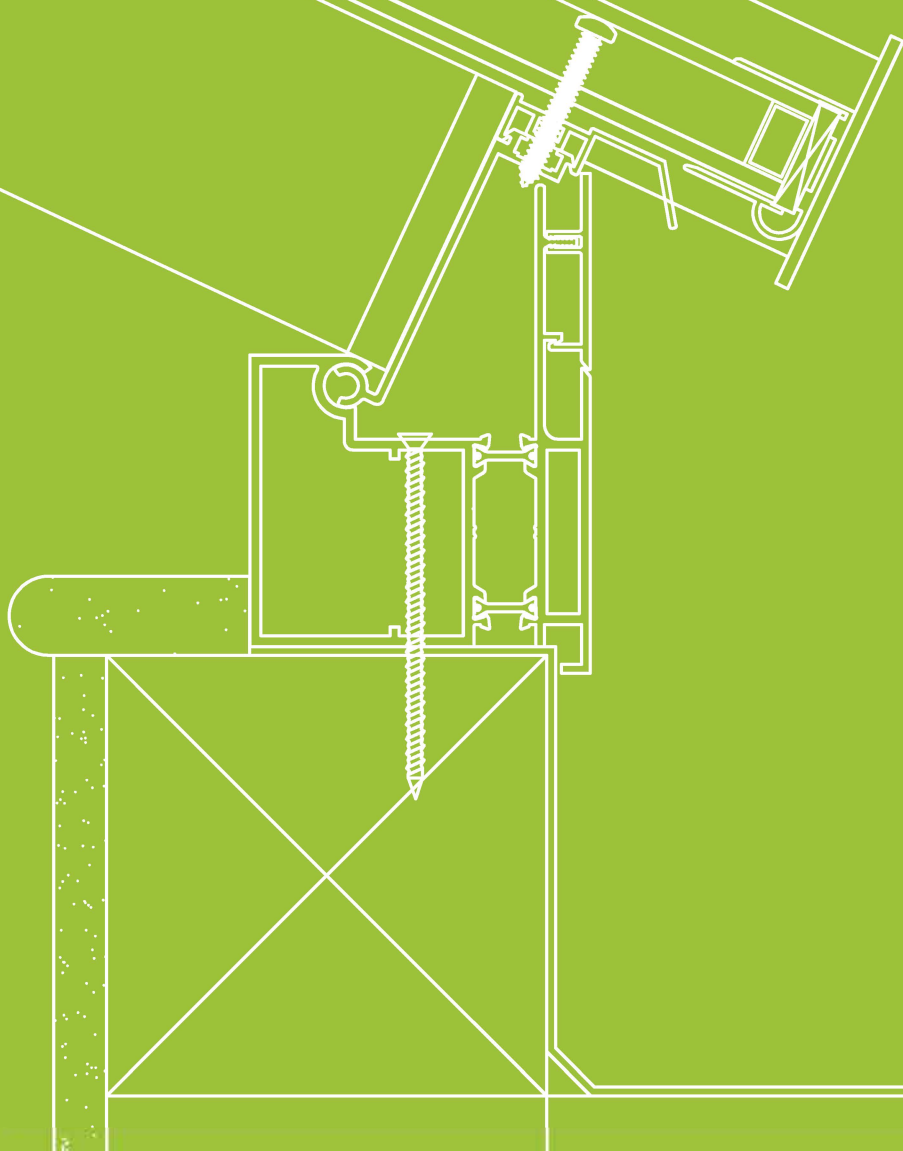


VUFOLD®

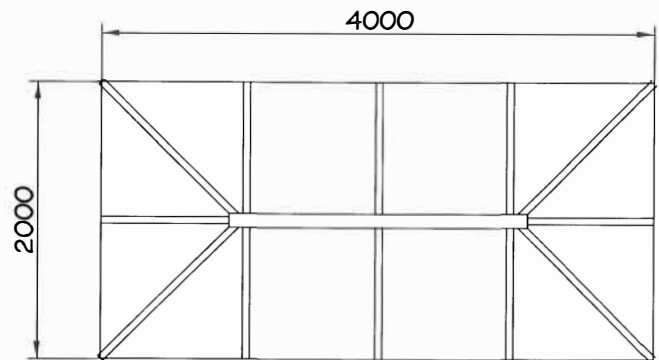
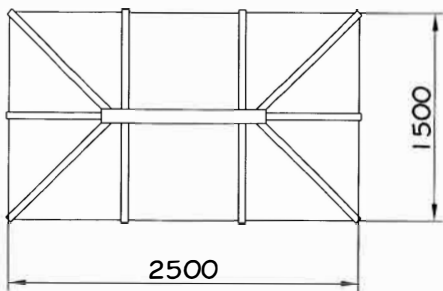
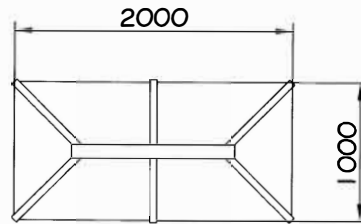
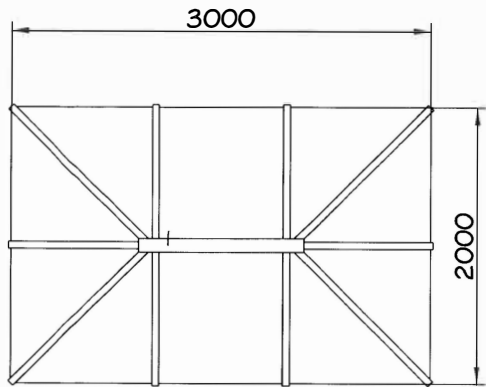
TRADITIONAL LANTERN INSTALLATION MANUAL



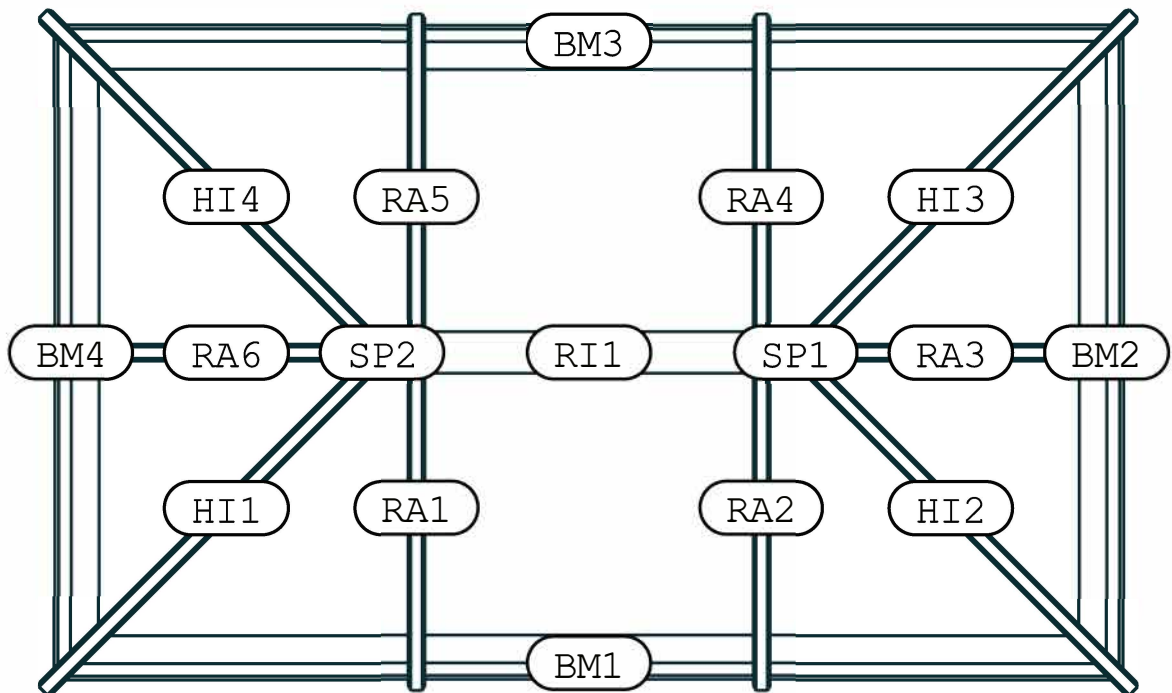
Sales: sales@vufold.co.uk
Customer Service: aftercare@vufold.co.uk
Telephone: 01625 442899

VFTLIM ISSUE A

VUFOLD Traditional Lantern Roof Standard Sizes



CONTENTS



Ringbeam: BM

Ridge end caps: SP

Hip rafter and pressure plates:

HI Ridge: RI (inc ridge cover and ridge cover end caps)

Intermediate Rafters: RA

Ringbeam Cleat Screw 45mm

(A)



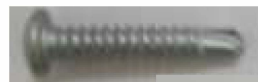
Pressure Plate Screw 45mm

(B)



Top and Bottom Hip Screw 25mm

(C)



Hip End Cap Leg Screw 15mm

(D)



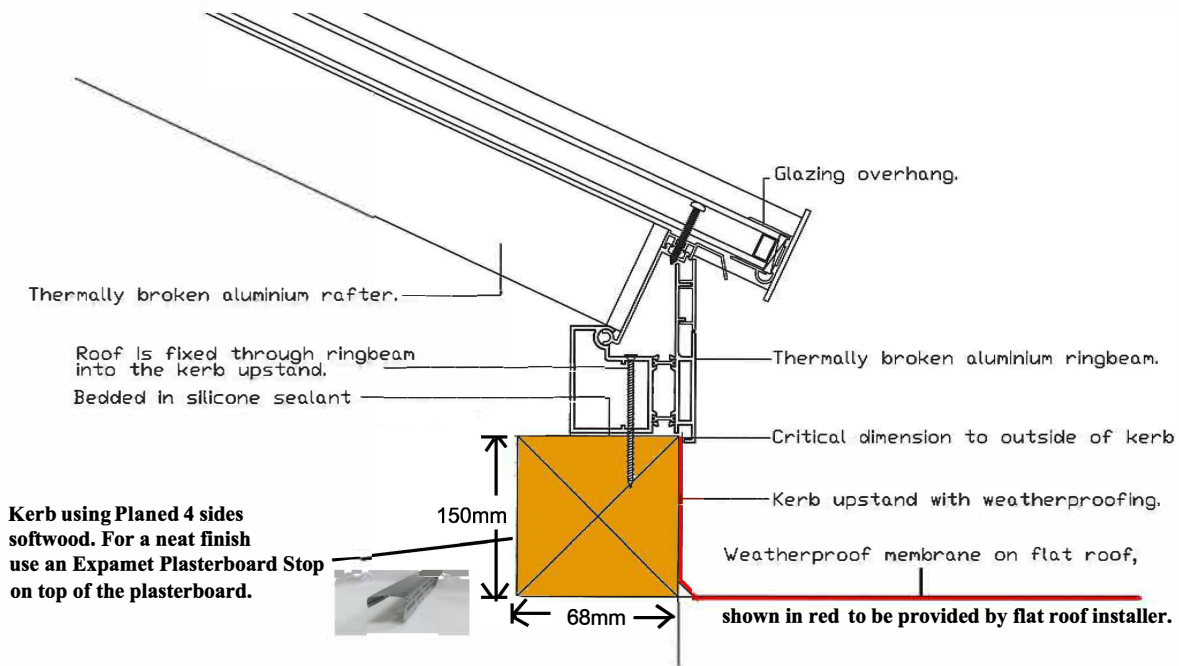
(E)

Transom Rafter Screws Bottom Fixing 4.5 x 50mm

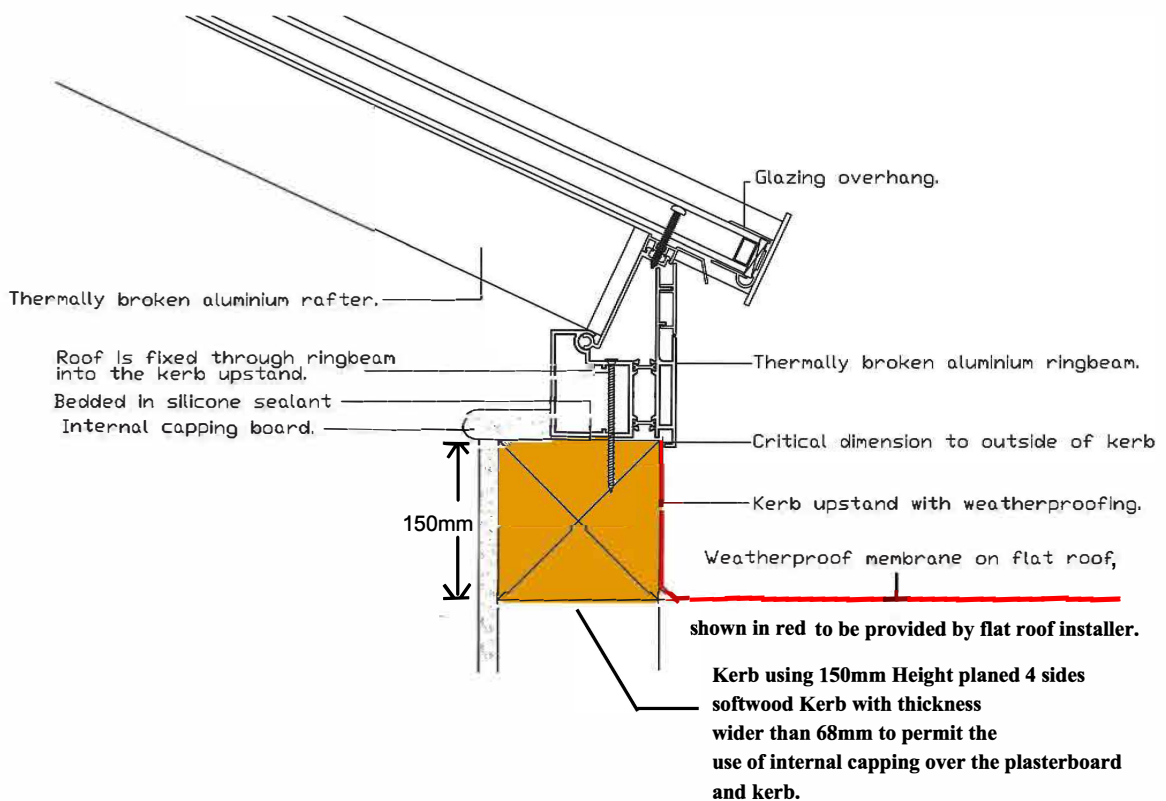
Kerb options for installation of VUFOLD Traditional Roof Lanterns

OPTION A

68mm Thickness x 150mm Height
planed 4 sides softwood



OPTION B



RINGBEAM ASSEMBLY



1 Check that the kerb is square by measuring equal distances from corner to corner, (see Figure 1).



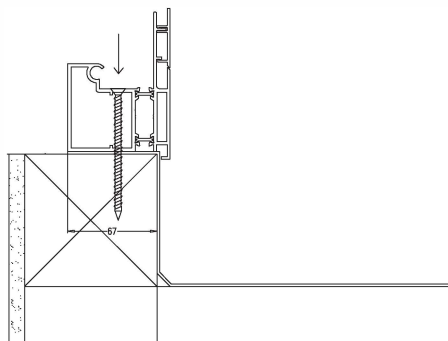
2 Remove the ringbeam flaps from the ringbeam.



3 Lift the ringbeam onto the top of the kerbs. Make sure the ringbeam is sealed to the kerb base.



4 Slide the ringbeam bracket into the channel on the adjoining ringbeam and push together. Fix the ringbeam screws into predrilled holes.



5 Prior to inserting ringbeam flaps, fix ringbeam onto kerb at approx 500mm centres, through the pre-drilled holes.



6 Lift the ringbeam flaps into place. Make sure the ringbeam flap engages into the correct position.

A-FRAME PREPERATION & ASSEMBLY



1 On a hidden tiebar push the steel bracket into the side of the central rafters.



2 Loosen the pre-fixed top screw to allow the top bracket to move freely.



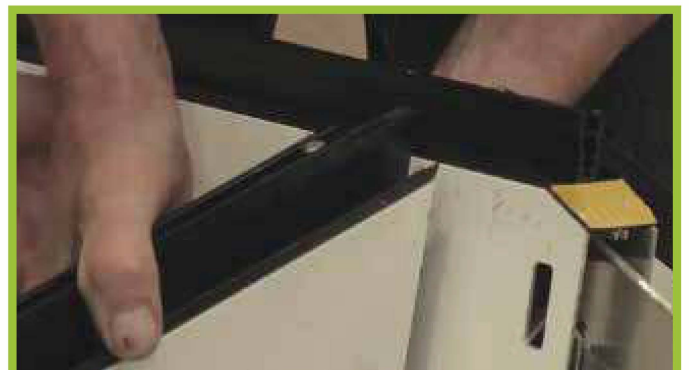
3 Engage the rafter bracket into the slot provided on the ridge.



4 Screw down the top screw to secure the rafter bracket. Place the rafter bracket into the slot on the ridge opposite.



5 Slide the adjacent rafter over the steel angled bracket.



6 Locate into position with the top rafter bracket and tighten the screw.

RAFTER ASSEMBLY



1 Slide the bell rafter over the pre-fixed ridge bracket.



2 Tighten pre-fixed screw to secure the bell rafter.



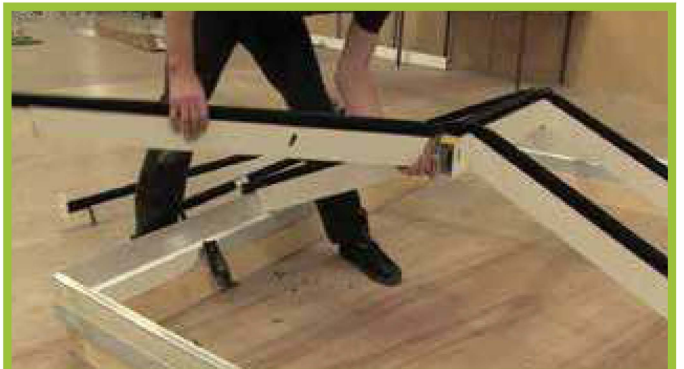
3 Fix the gusset cover over the hidden tie bar. Secure with screw.



4 Fix the gusset with screws provided and cover with screw caps.



5 Where there is no hidden tie bar position the bracket into the slot on the ridge and fix rafter with screw.



6 Loosen off the top hip bracket screw and position into the slot provided.

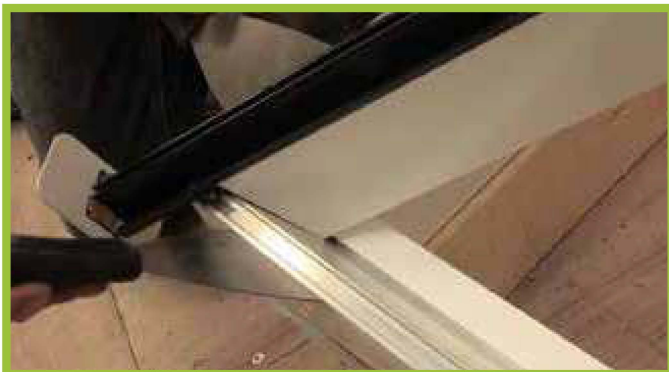
RAFTER ASSEMBLY



7 Fix the next hip and secure screw at top.



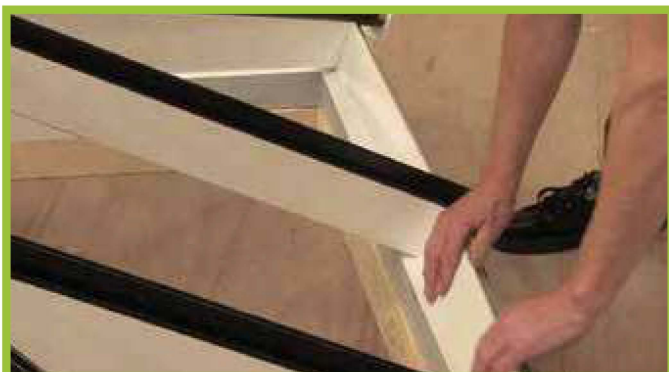
8 Jack rafters are located into a slot with a bracket and top screw.



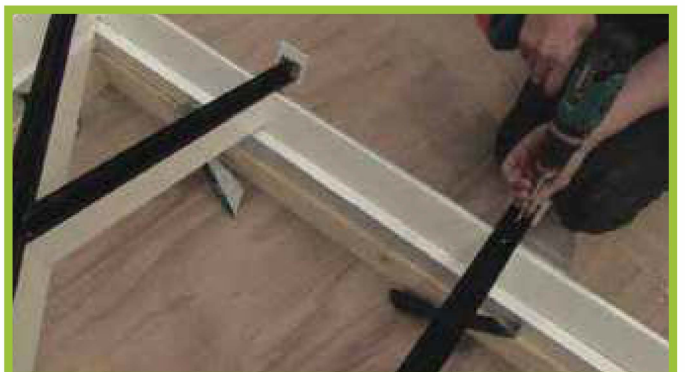
9 Rotate the ringbeam flaps keeping them tight against the hip rafter cut.



10 Rotate the ringbeam flaps keeping them tight against the hip rafter cut.



11 Before fixing the central and jack rafters at the bottom, temporary fit foam boards against flap to correctly space rafter positions.



12 Once the rafters are in position pull the ringbeam flap up tight to the rafter and fix centrally with a screw.

TRIMMING INSIDE



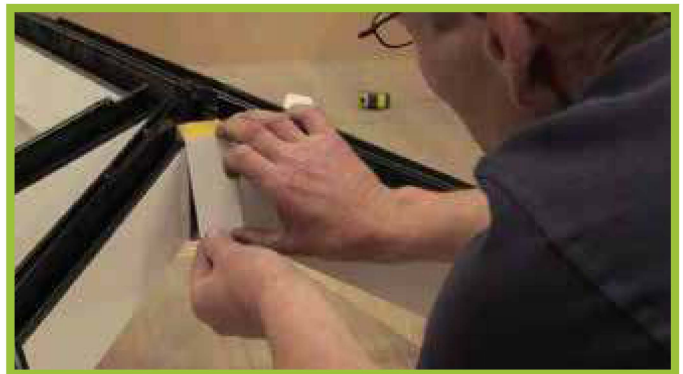
1 Once rafters are fixed, remove the foam boards and locate the glazing shelf.



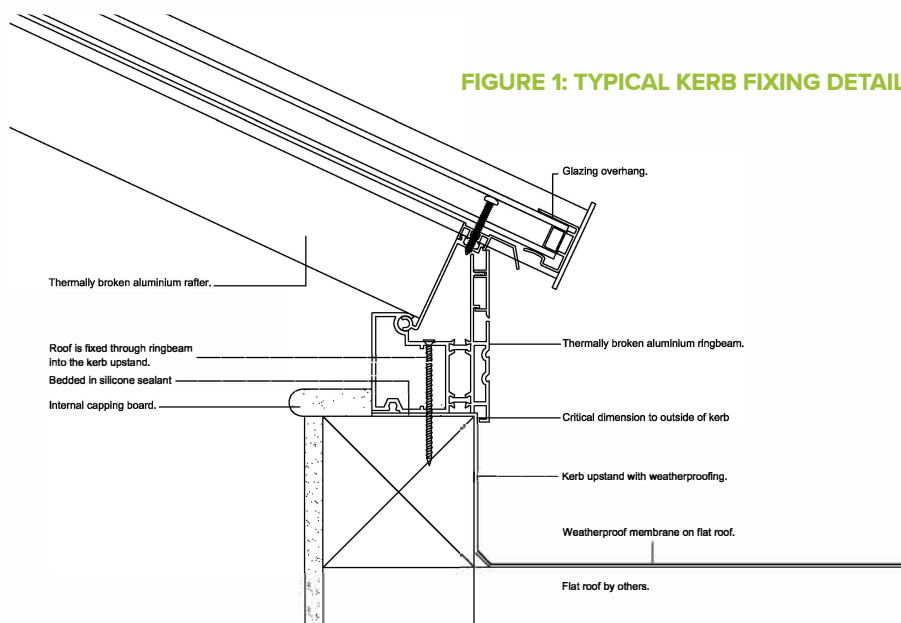
2 Knock down tight with a rubber hammer.



3 Silicone the foam board securely into place.



4 Where there is no bell rafter, glue internal ridge end caps onto each end of the ridge.



GLAZING



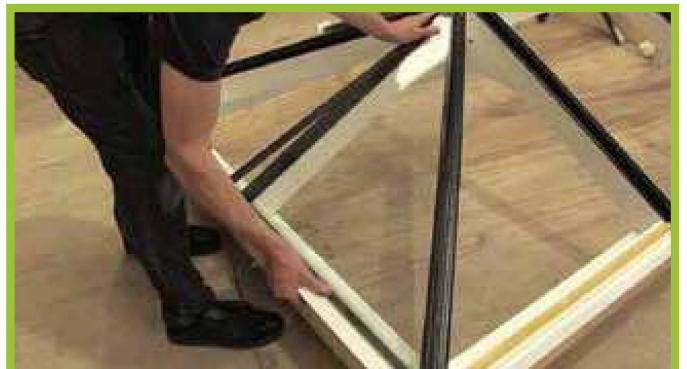
- 1** Run a bead of sealant along the top leg of the glazing end closer. Always use the correct sealant. (MS Polymer on low maintenance glass).



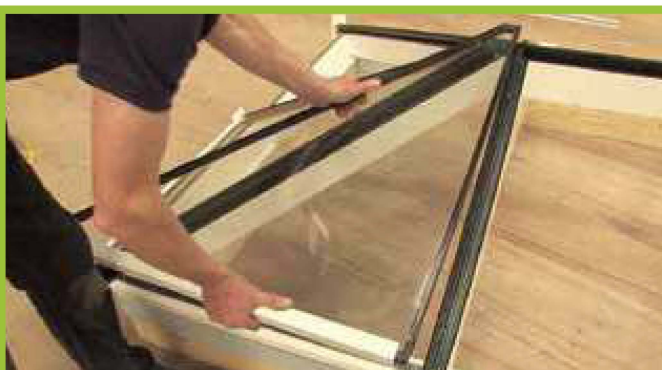
- 2** Slide glazing end closer over the bottom of the glazing.



- 3** Remove cover tape from double sided tape on the glazing shelf.



- 4** Lift glass into place behind the rafter end stops and press down glazing.



- 5** Fit all units of glass keeping glazing end closer between rafters.

PRESSURE PLATE & COVER CAP



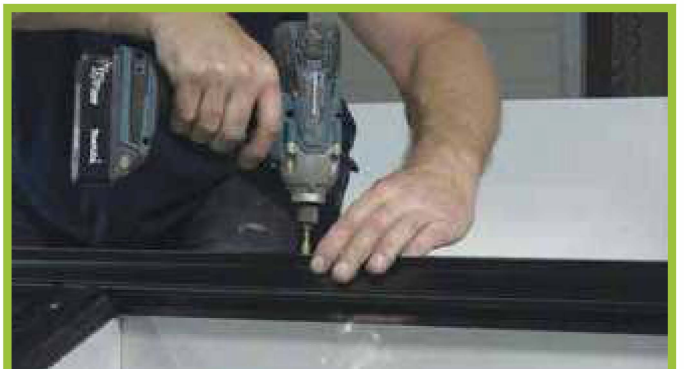
- 1** Locate the hip pressure plate centrally over the hip rafter and fix down with screws. Always tighten down the pressure plate screw through the bottom hole (approx 75mm from the end) to compress the glass against the ringbeam sealing tape



- 2** Position the central pressure plate over rafters. Screw the pressure plates through the pre-drilled holes provided.



- 3** Centralise the ridge pressure plate between the rafter pressure plates.

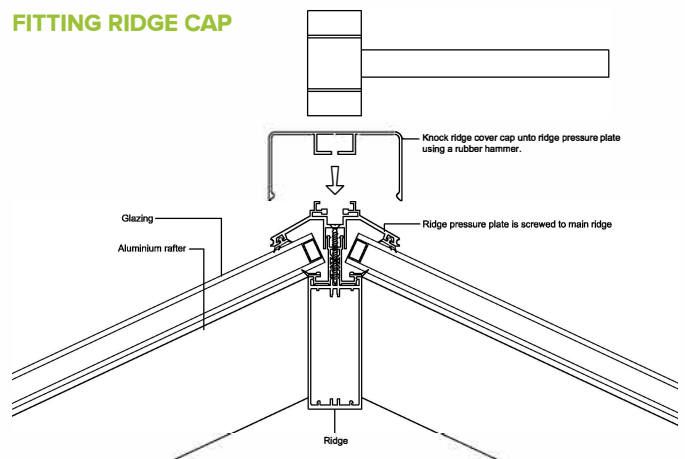


- 4** Fix the ridge pressure plate centrally to the main ridge body with screws.



- 5** After ridge cap is installed locate the cover caps over pressure plates and fix securely with a rubber hammer.

FITTING RIDGE CAP



Note / Fit the ridge cover cap end caps BEFORE fitting the ridge cover cap to the ridge pressure plate.