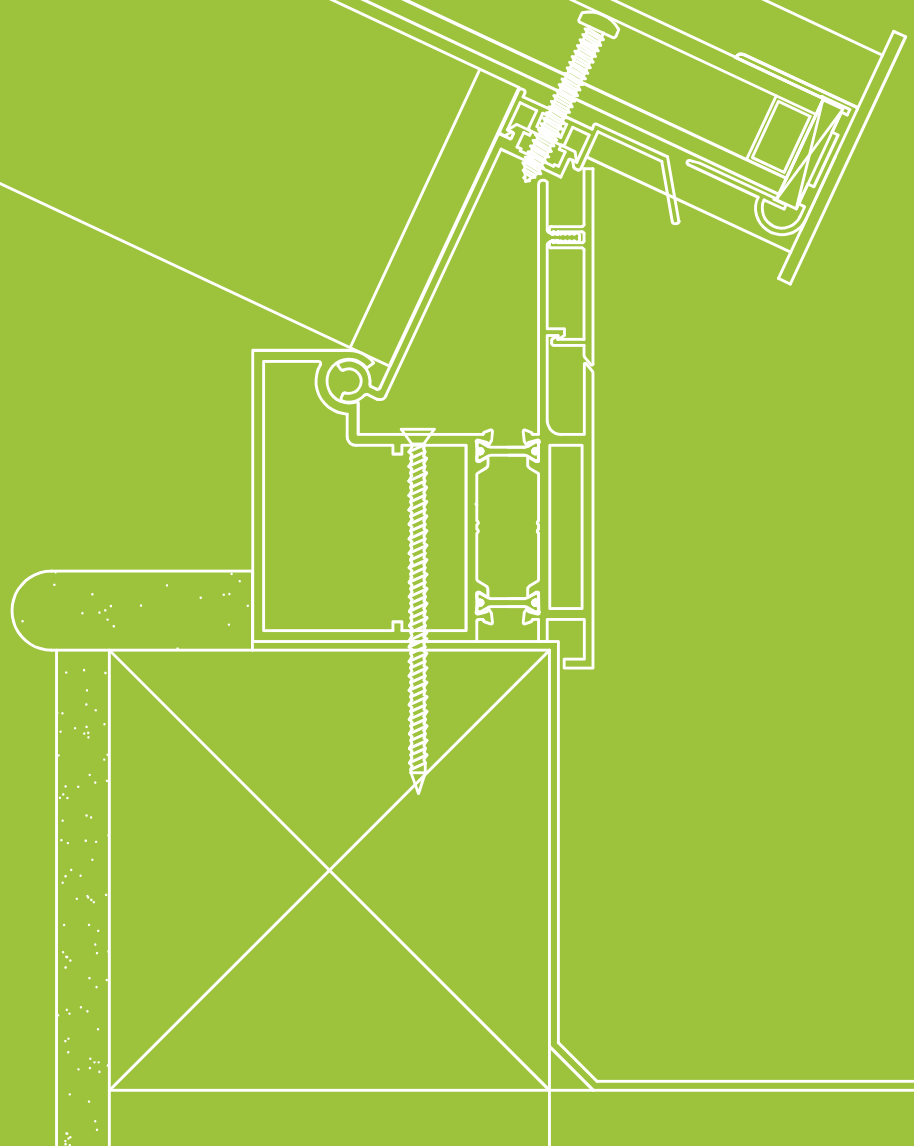


VUFOLD®

CONTEMPORARY ROOF LANTERN INSTALLATION MANUAL

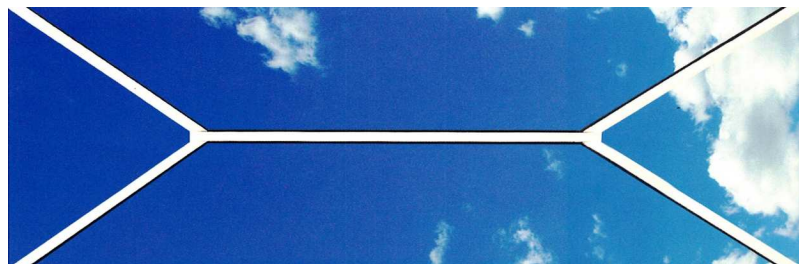
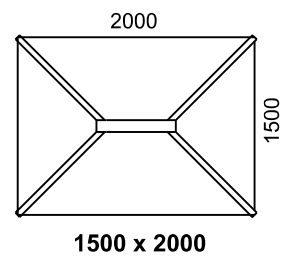
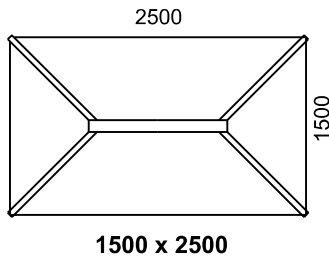
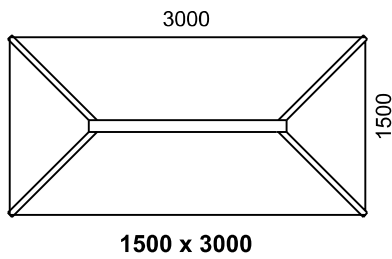
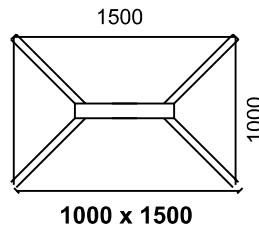
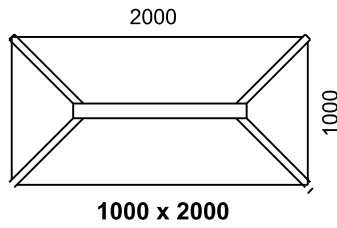


Sales: sales@vufold.co.uk
Customer Service: aftercare@vufold.co.uk
Telephone: 01625 442899

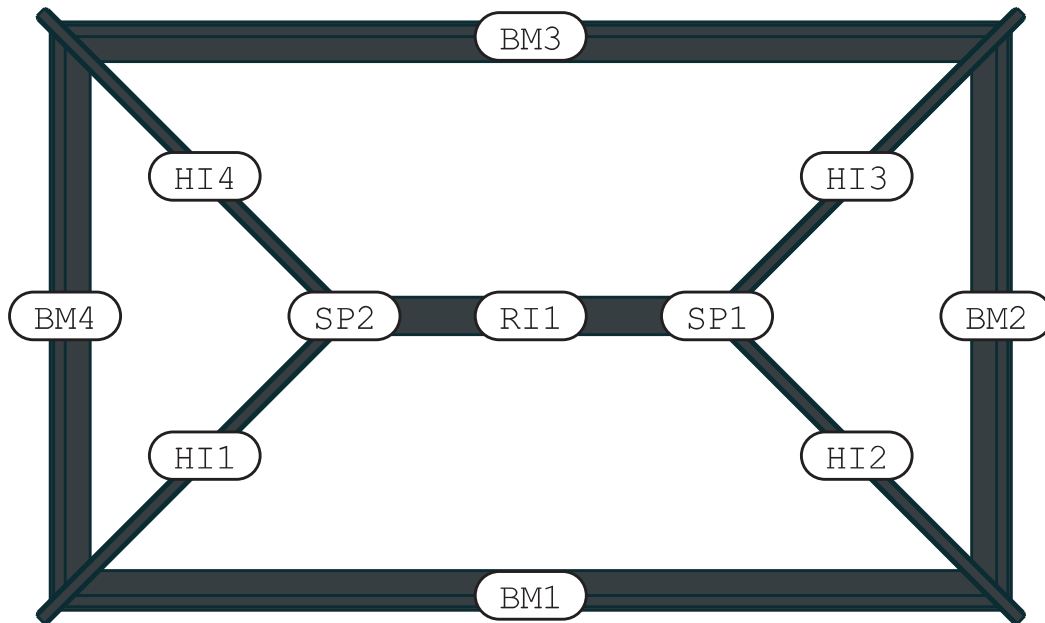
VFLIM ISSUE A

VUFOLD Contemporary Lantern Roof

Standard Sizes



CONTENTS



- Ringbeam: BM - QTY 4
- Ridge end caps: SP - QTY 2
- Hip rafter and pressure plates: HI - QTY 4
- Ridge: RI - QTY 1

Ringbeam Cleat Screw 45mm



Pressure Plate Screw 45mm



Top and Bottom Hip Screw 25mm



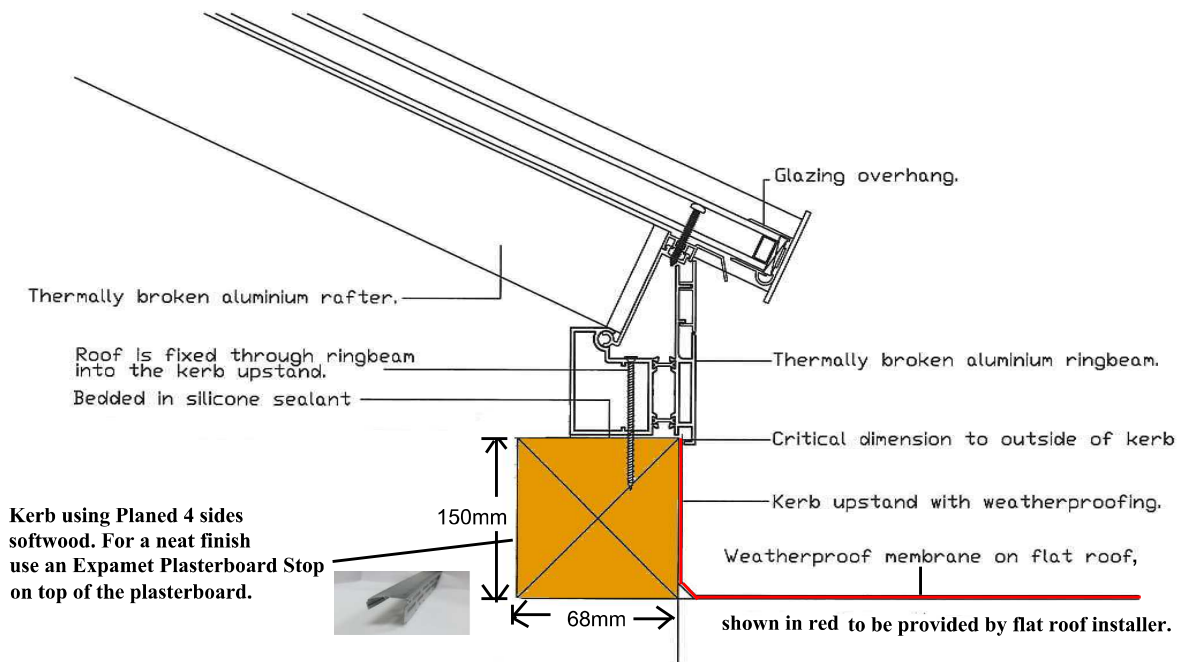
Hip End Cap Leg Screw 15mm



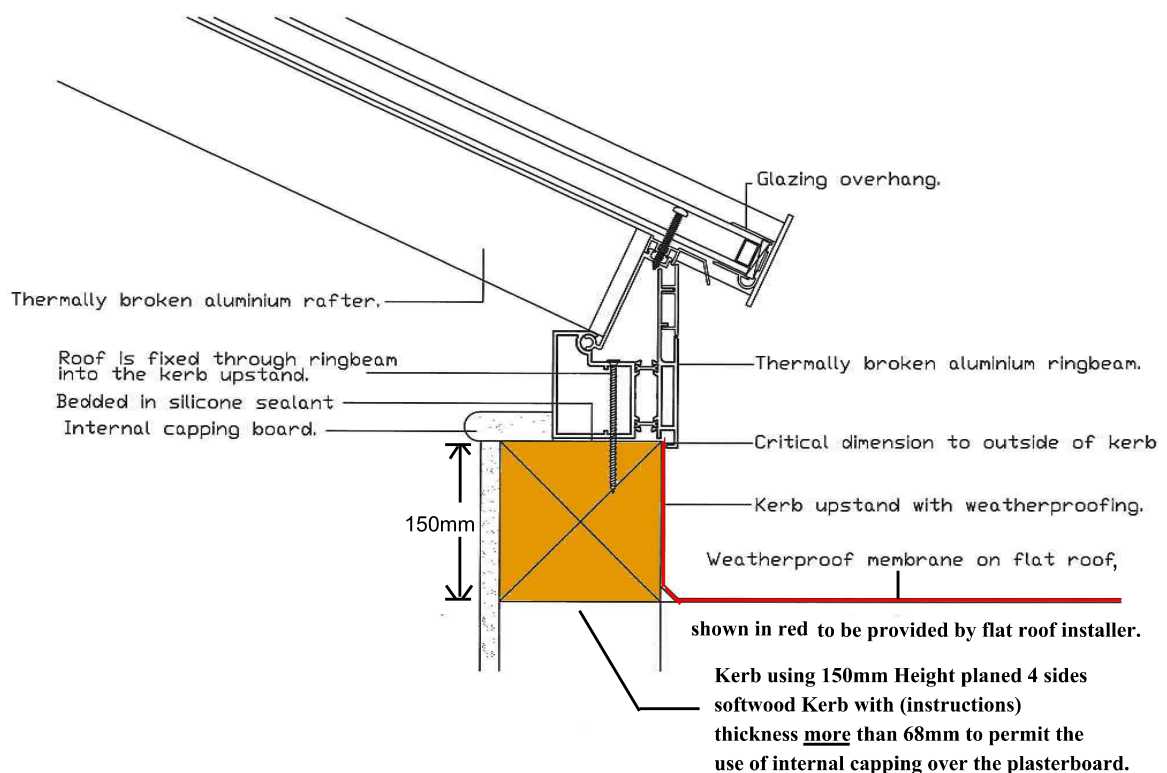
Kerb options for installation of VUFOLD Contemporary Roof Lanterns

OPTION A

68mm Thickness x 150mm Height
planed 4 sides softwood



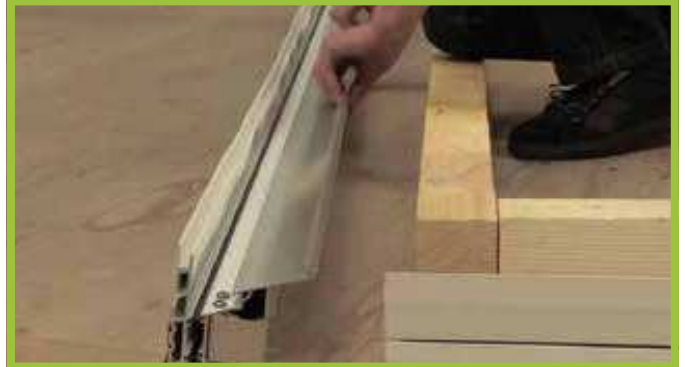
OPTION B



RINGBEAM ASSEMBLY



1 Check that the kerb is square by measuring equal distances from corner to corner, (see Figure 1).



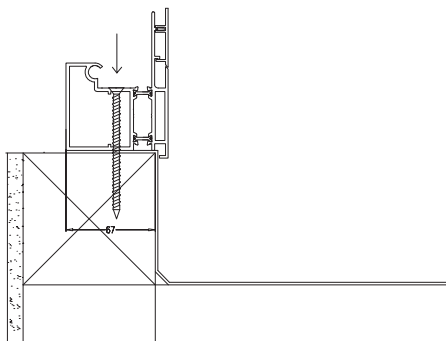
2 Remove the ringbeam flaps from the ringbeam.



3 Lift the ringbeam onto the top of the kerbs. Make sure the ringbeam is sealed to the kerb base.



4 Slide the ringbeam bracket into the channel on the adjoining ringbeam and push together. Fix the ringbeam using 45mm screws (A) into pre-drilled holes.



5 Prior to inserting ringbeam flaps, fix the ringbeam onto the Kerb by drilling holes and fixing with screws at 300mm - 500mm evenly spaced centres. (Screws not supplied), first removing the aluminium protective film.

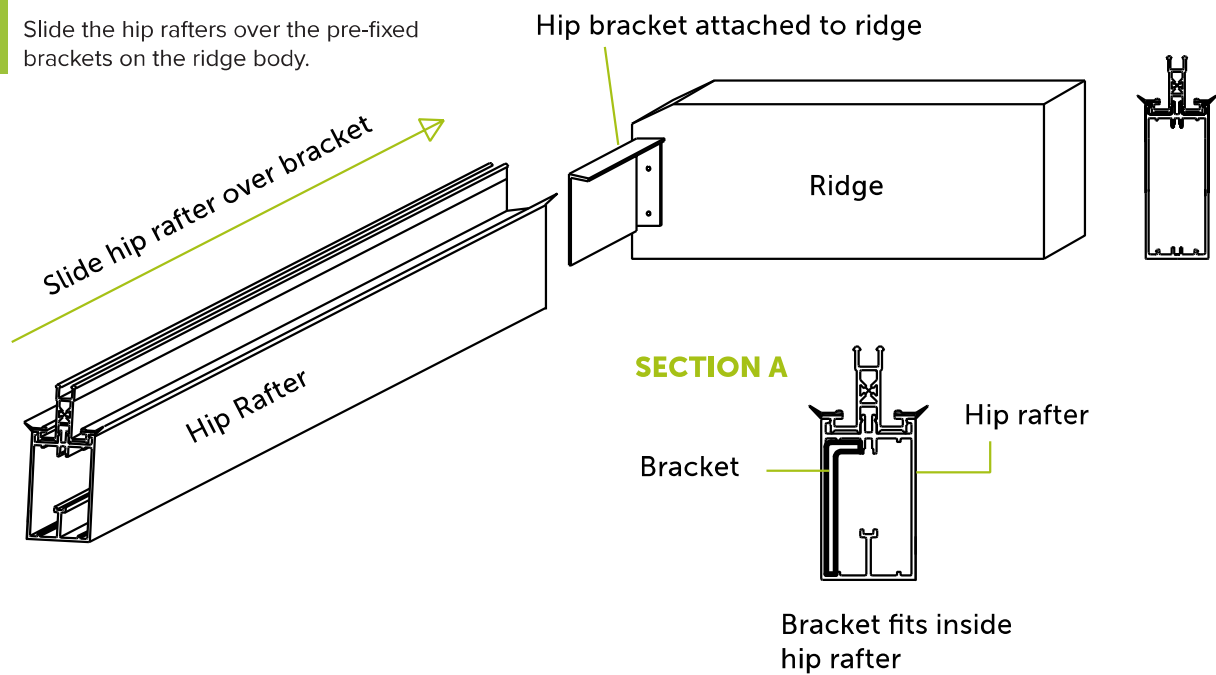


6 Lift the ringbeam flaps into place. Make sure the ringbeam flap engages into the correct position.

HIP FIXING DETAIL ON CONTEMPORARY LANTERN

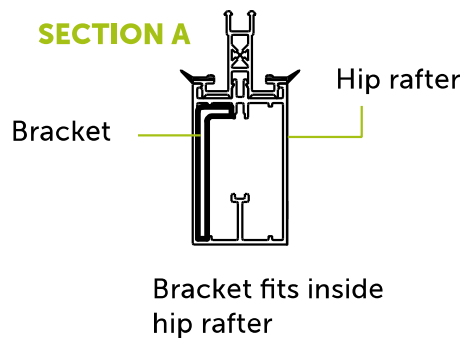
1

Slide the hip rafters over the pre-fixed brackets on the ridge body.



2

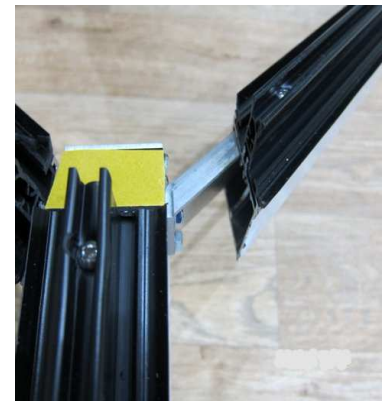
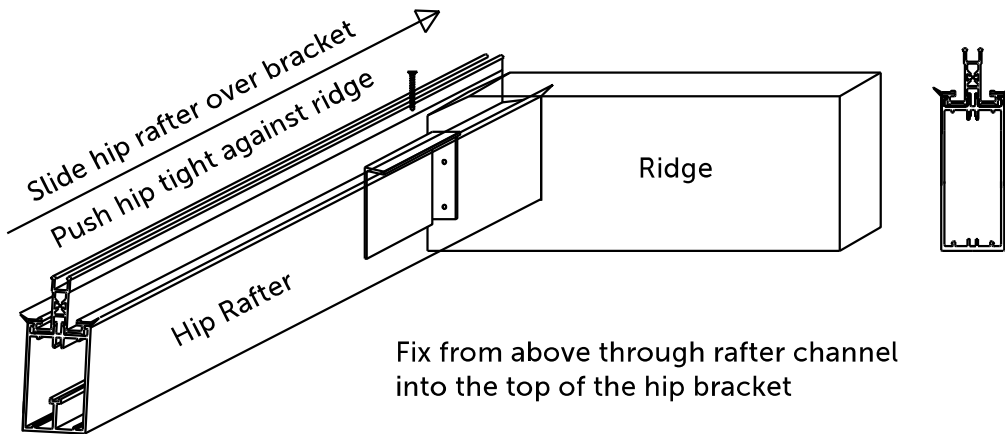
Note the position of the bracket inside the hip on section A.



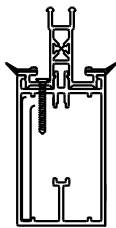
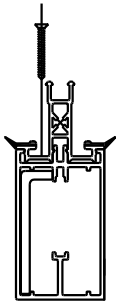
HIP FIXING DETAIL ON CONTEMPORARY LANTERN

3

Push the hip tight against the side of the ridge, remove the protective film, and drill fixing holes then secure through the top of the rafter using the 25mm screws (C). This screw will catch the top of the internal hip bracket and secure the hip into its position. Repeat the process for all 4 rafters. See section B and C.



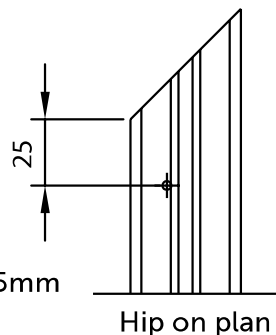
SECTION B



Tighten screw so head is below the gasket line



SECTION C



Screw is approx 25mm from end of rafter



Place the assembled hip rafters and ridge onto the corners of the ringbeam.



4 Rotate the ringbeam flaps keeping them tight against the hip rafter cut.



5 Temporarily fit the foam boards against the flaps to correctly space the hip rafter positions.



6 Once the hip rafters are in position, pull the ringbeam flap tight up to the rafter then drill holes either side of the hip glazing seat to fix the rafters to the flaps using the 25mm screws (C).

TRIMMING INSIDE



1 Once rafters are fixed, remove the foam boards and locate the glazing shelf.



2 Knock down tight with a rubber hammer.



3 Silicone the foam board securely into place.



4 Where there is no bell rafter, glue internal ridge end caps onto each end of the ridge.

GLAZING



- 1** Run a bead of sealant along the top leg of the glazing end closer. Always use the correct sealant. (MS Polymer on low maintenance glass).



- 2** Slide glazing end closer over the bottom of the glazing.



- 3** Remove cover tape from double sided tape on the glazing shelf.



- 4** Lift glass into place behind the rafter end stops and press down glazing.

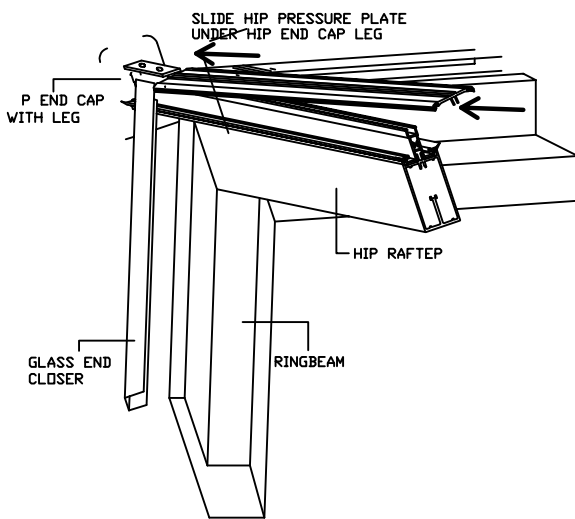


- 5** Fit all units of glass keeping glazing end closer between rafters.

PRESSURE PLATE & COVER CAP

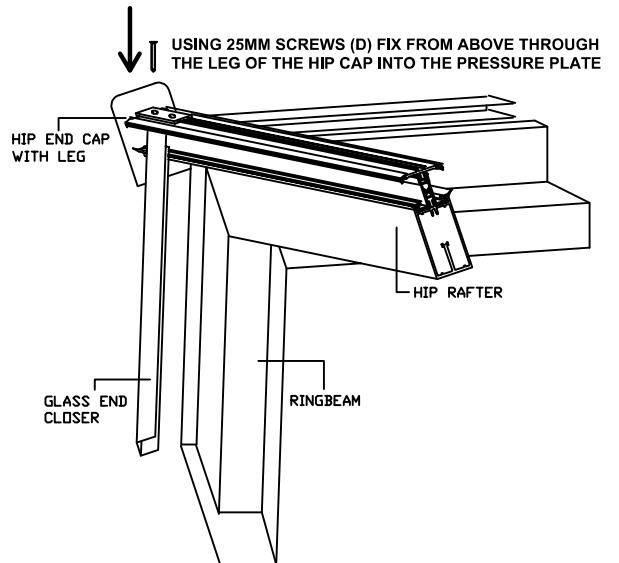
SECURING HIP END CAPS TO HIP PRESSURE PLATE

1



1: SLIDE HIP PRESSURE PLATE UNDER THE LEG OF THE HIP END CAP

2



2: FIX A SELF DRILL SCREW THROUGH THE HOLE IN THE LEG OF THE END CAP INTO THE ALUMINIUM PRESSURE PLATE AND FIX 45MM SCREWS (B) UP THE LENGTH OF THE PRESSURE PLATE SO IT IS TIGHT AGAINST THE GLASS.
3: KNOCK ON THE HIP COVER CAP WITH A RUBBER HAMMER UNTO THE SECURED HIP PRESSURE PLATE.

3

FITTING RIDGE CAP

