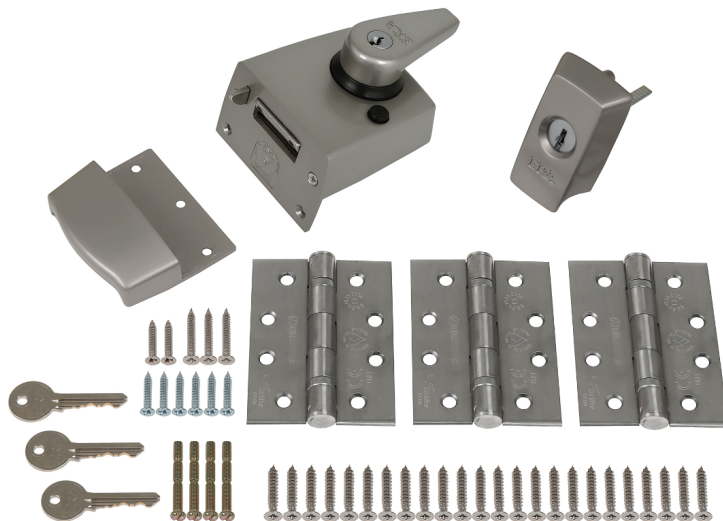
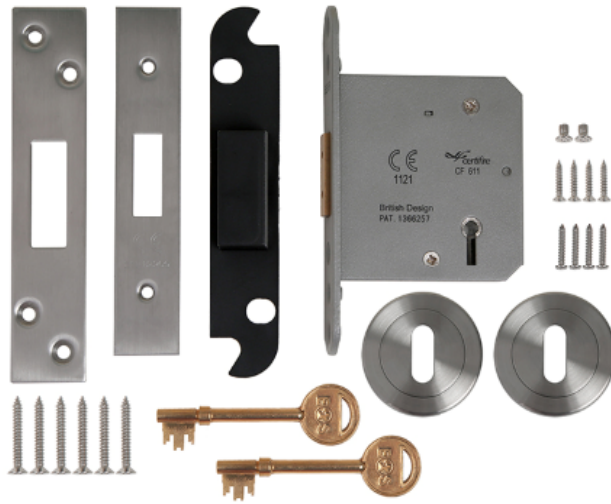


## Vufold Ultimate Door Accessories INSTALLATION INSTRUCTIONS



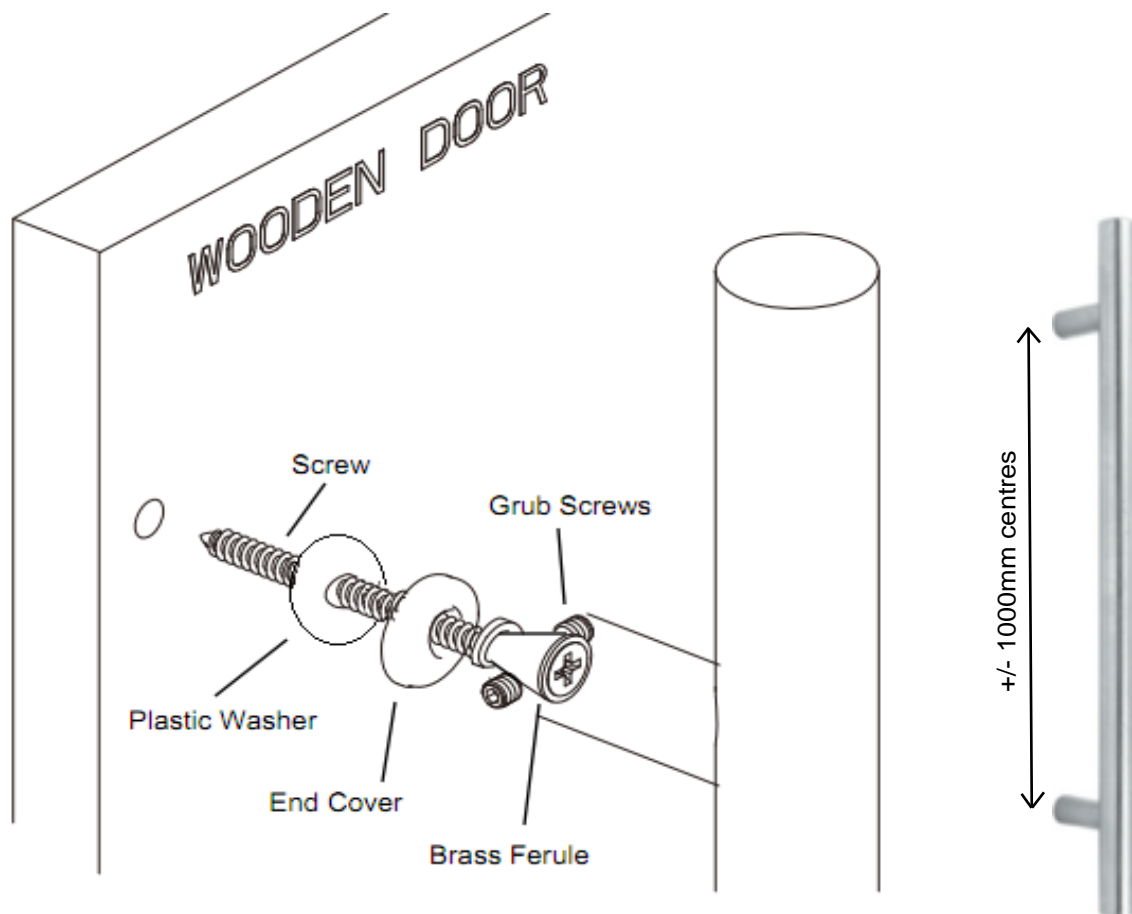


The difference is in the detail

## Contents

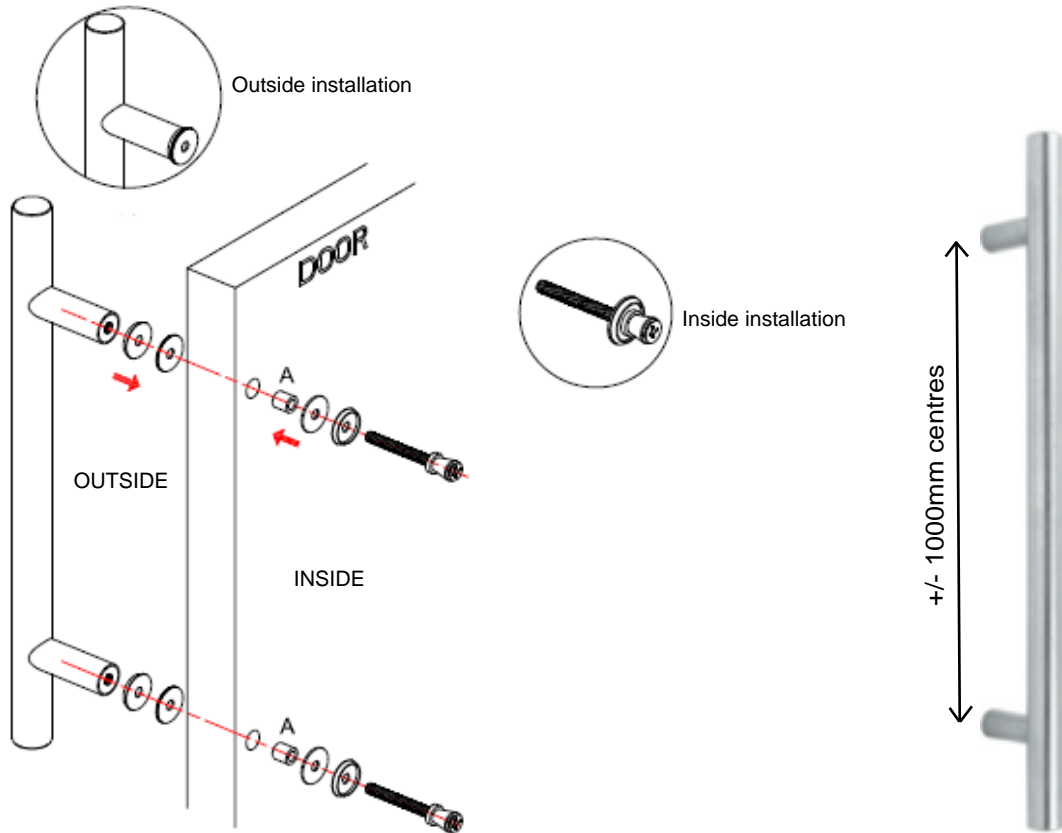
- Single Stainless Steel Long Bar Pull Handle .....	1
- Double Stainless Steel Long Bar Pull Handle .....	2
- Single Stainless Steel Short Bar Pull Handle .....	3
- High Security Nightlatch .....	4
- Stainless Steel Satin Hinges.....	6
- 5 Lever Mortice Deadlock.....	7
- Letterplate .....	11
- Wall Mounted Mailbox .....	12
- Door Viewer .....	13

## SINGLE STAINLESS STEEL Long Bar Pull Handle 1400mm x 32mm



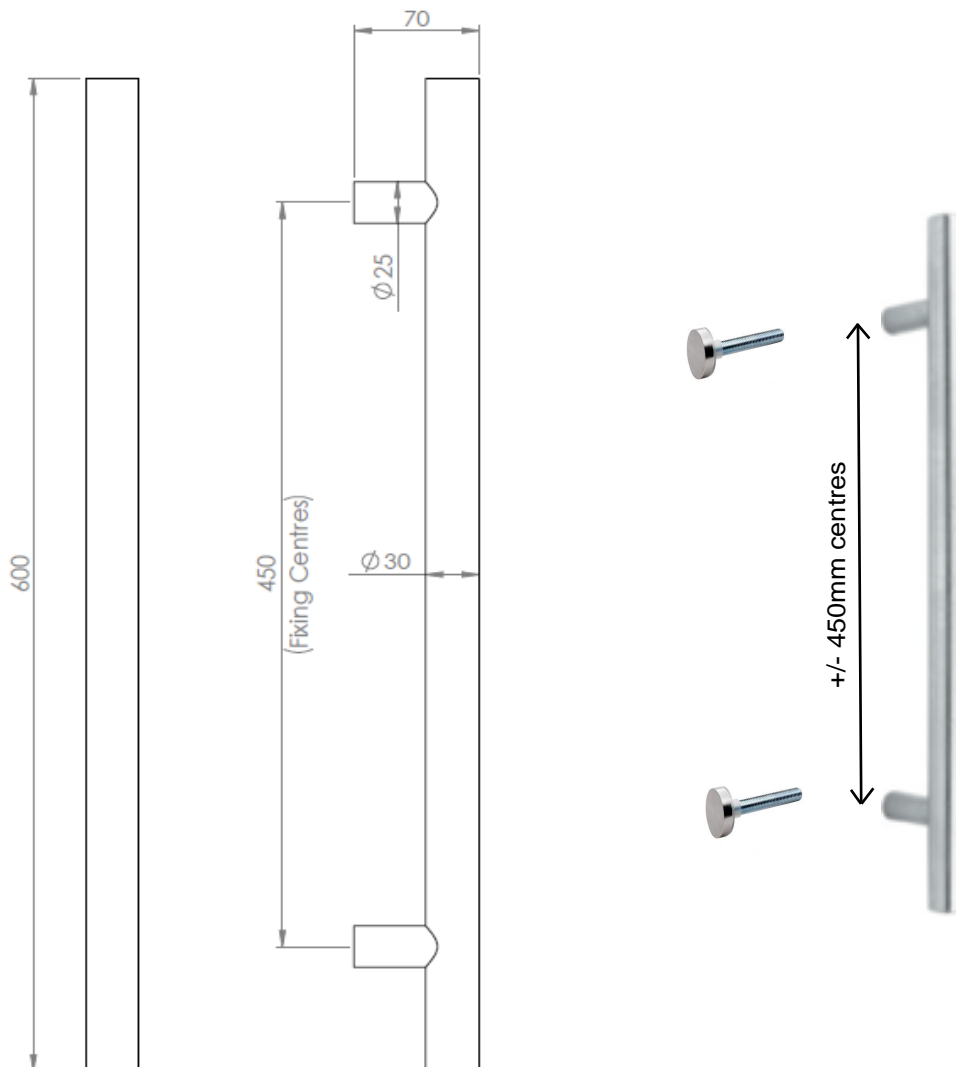
- A** Before fitting the long bar handle, ensure the handle location on the outside of the door will not prevent any access to any other intended door hardware, such as night latches, euro cylinders and/or letter boxes.
- B** Check the 'centre' distance on your handle. Using 2 strips of masking tape, mark the two hole positions on the face of the door.
- C** Drill pilot holes in the door using a 4-4.5mm drill or flat wood bit.
- D** Insert the screw through the Brass Ferule, End Cover and Plastic Washer, then screw into the door and tighten, being careful not to round the screw heads.
- E** Fit the handle over the protruding Brass Ferules until it is tight up against the surface of the door, then secure in position by tightening the four grub screws with an allen key.

## DOUBLE STAINLESS STEEL Long Bar Pull Handle 1400mm x 32mm



- A** Before fitting the long bar handle(s), ensure the handle location on the inside and outside of the door will not prevent any access to any other intended door hardware, such as night latches, euro cylinders and/or letter boxes.
- B** Check the 'centre' distance on your handle. Using 2 strips of masking tape, mark the two hole positions on the face of the door.
- C** Drill pilot holes in the door using a 4-4.5mm drill or flat wood bit.
- D** Arrange the fixings as shown above. Note the pull bar with the small hole is installed outside. The pull bar with the big hole is installed inside. Fixing A is normally used for a glazed door.
- E** Fit the inside handle over the protruding Brass Ferules until it is tight up against the surface of the door, then secure in position by tightening the four grub screws with an allen key.

## SINGLE STAINLESS STEEL Short Bar Pull Handle 600mm x 30mm



- A** Before fitting the short bar handle, ensure the handle location on the outside of the door will not prevent any access to any other intended door hardware, such as night latches, euro cylinders and/or letter boxes.
- B** Check the 'centre' distance on your handle. Using 2 strips of masking tape, mark the two hole positions on the face of the door.
- C** Drill holes in the door using a 12mm drill or flat wood bit.
- D** Insert the bolt cap screw through the plastic washer then through the door, threading on another washer before finally screwing into the handle and tighten.

## 1830 - 32

# ERA High Security British Standard NIGHTLATCH

### Installing an ERA High Security British Standard Nightlatch

To fit an ERA High Security BS Nightlatch Lock you will require:

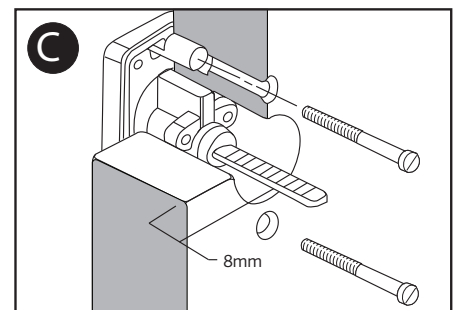
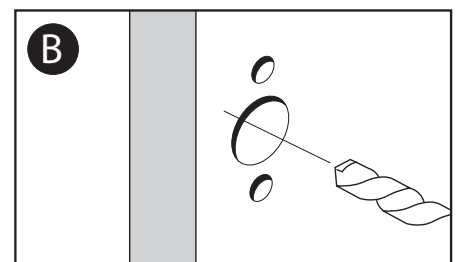
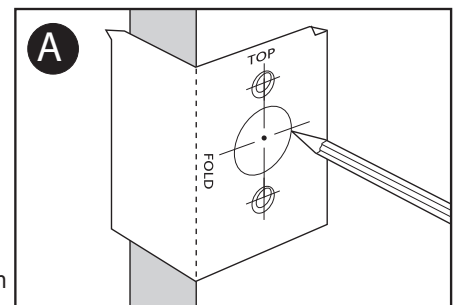
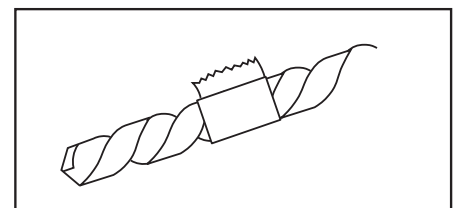
- Drill
- 2mm, 6mm, 10mm and 32mm drill bits
- Rule
- Hacksaw
- Mallet
- Chisel
- Posidrive screwdriver
- Pencil

Before fitting the ERA BS Nightlatch please ensure you follow the correct template instructions relating to the 60mm dimensions, for fitting this **standard** 60mm Backset Nightlatch.

#### Fitting Tips:

To ensure you drill to the correct depth, mark your drill bits with adhesive tape at the required drill depth prior to drilling

- Select the desired height for the lock. Select either Mounting Plate Template A (For door hinged on the right as seen from the inside) OR Template B (For door hinged on the left as seen from the inside). Using the selected template, mark the centre of the 3 holes for the 60mm Backset lock from the edge of the door on both sides of the door.
- At the middle mark, drilling from both sides of the door, drill a 32mm hole through the door. Working from the **outside** of the door, drill a 10mm diameter hole to a depth of 16mm at each of the two marked spots. Working from the **inside** of the door, drill a 6mm diameter hole through the door at each of the two marked spots. Countersink these two holes using a 10mm drill bit to a depth of 5mm.
- With the key removed, insert the cylinder pull through the door. With a pencil, mark the cylinder bar level on the inside of surface of the door. Remove the cylinder and cut the bar so that it will project 6-7mm (**IMPORTANT**) beyond the door face, i.e. beyond the pencil mark. Re-insert the cylinder and secure with (x2) large screws provided ensuring they are sunk below the door surface. Do not over tighten the bolts.



## 1830 - 32

### ERA High Security British Standard NIGHTLATCH (cont)

- D** Remove the mounting plate from the lock body by unscrewing the 2 retaining screws. Place the mounting plate over the connecting bar. Secure the mounting plate to the cylinder pull using the two slotted connecting bolts through the mounting plate top centre holes. Do not over tighten the bolts.

Note: For doors less than 45mm thick, connecting bolts may need to be shortened using a hacksaw.

Using the 4 wood screws provided, secure the mounting plate in positions A and C. When fixing the mount plate, if holes A are not suitable due to previous holes etc, plate using positions B.

- E** Using the lock as template, locate the lock body over the mounting plate. Mark the area to be removed from the door edge remove lock from mounting plate and chisel out so that the lock face (kitemarked edge) sits flush. Mark the position of the 2 fixing holes. Remove the lock and drill positions marked, drilling pilot holes if necessary.

- F** Locate the lock body over the mounting plate and slide the lock to engage the locking pegs, ensuring the lock face (kitemarked edge) fits flush in the recess. Replace the 2 retaining screws and secure the lock using the 2 wood screws provided.

#### **G** Fitting the Staple

Close door and mark the position of the staple on the door frame using the lock as a guide. Mark area of wood to be removed from door frame and chisel out. Insert the 3 remaining woodscrews provided to fix the staple, drilling the pilot holes is necessary.

#### Additional Information

**Operation** - Insert key from the outside and turn to open the door.

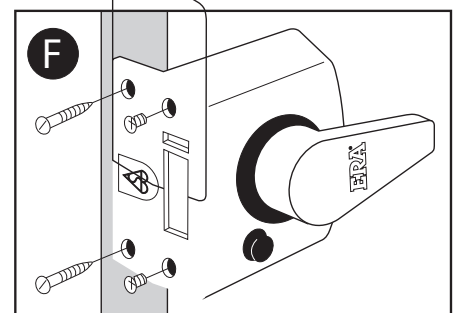
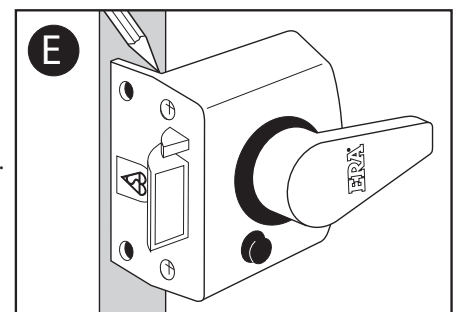
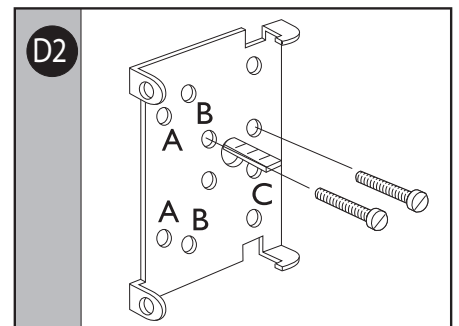
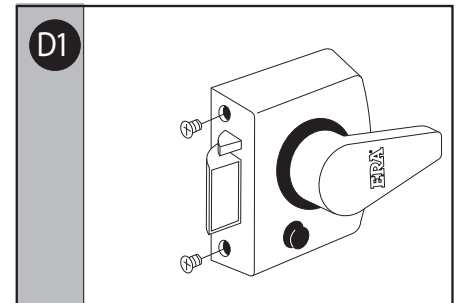
**Deadlocking** - From inside, insert key into the handle and turn 360° and remove key. The door cannot be opened from the inside. To unlock - reverse operation.

**Maintenance** - Use a moist cloth only to clean. Household abrasives or solvents may affect the surface finish.

**Guarantee** - The guarantee covers defective workmanship should the lock become inoperable within 10 years.

*This guarantee does not cover:*

1. Misuse, none authorised repairs, or incorrect maintenance.
2. Tarnishing or decolouration of product as this is affected by environmental conditions.
3. Incorrect fitting.



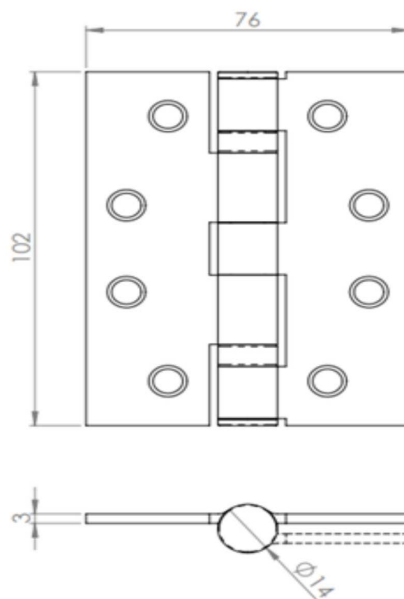
## Stainless Steel 102mm (4") Satin HINGES

### Installing hinges onto a Vufold Ultimate Door into an existing frame

- Check the existing hinge cut outs in the frame to ensure they can be used to fit the new Vufold hinges.  
If the existing hinge locations can be used, hold the Vufold hinges over the existing hinge location and trace around the hinge, then remove the timber with a chisel so the hinge fits neatly into the frame and flush with the surface.
- If necessary cut the door to size to leave the correct spacings between the door and frame in both Height and Width.
- Place the door into the opening and use packers to hold it in position then mark the location of the hinges onto the door and using a chisel or router, remove timber so the hinge fits flush with the edge of the door.
- Hang the door and fix the hinges with screws appropriate to the weight of the door.

### Installing hinges onto a Vufold Ultimate Door and frame

- The 3 hinges should be surface mounted on the door, top and bottom +/- 150mm - 200mm from the top and bottom edge and one in the centre.
- Using the hinge as a template, mark the screw holes onto the edge of the door.  
Drill the pilot holes, then screw the hinges onto the door using the supplied screws.
- Using packers, place the door into the opening - ensuring the correct spacings in Height and Width - then mark the hinge positions onto the frame, and trace around the hinge. Using a chisel or router, remove timber until the hinge fits neatly into the frame - flush with the surface.
- Screw through the hinges into the frame to hang the door.





## Easi T 5 Lever MORTICE Deadlock

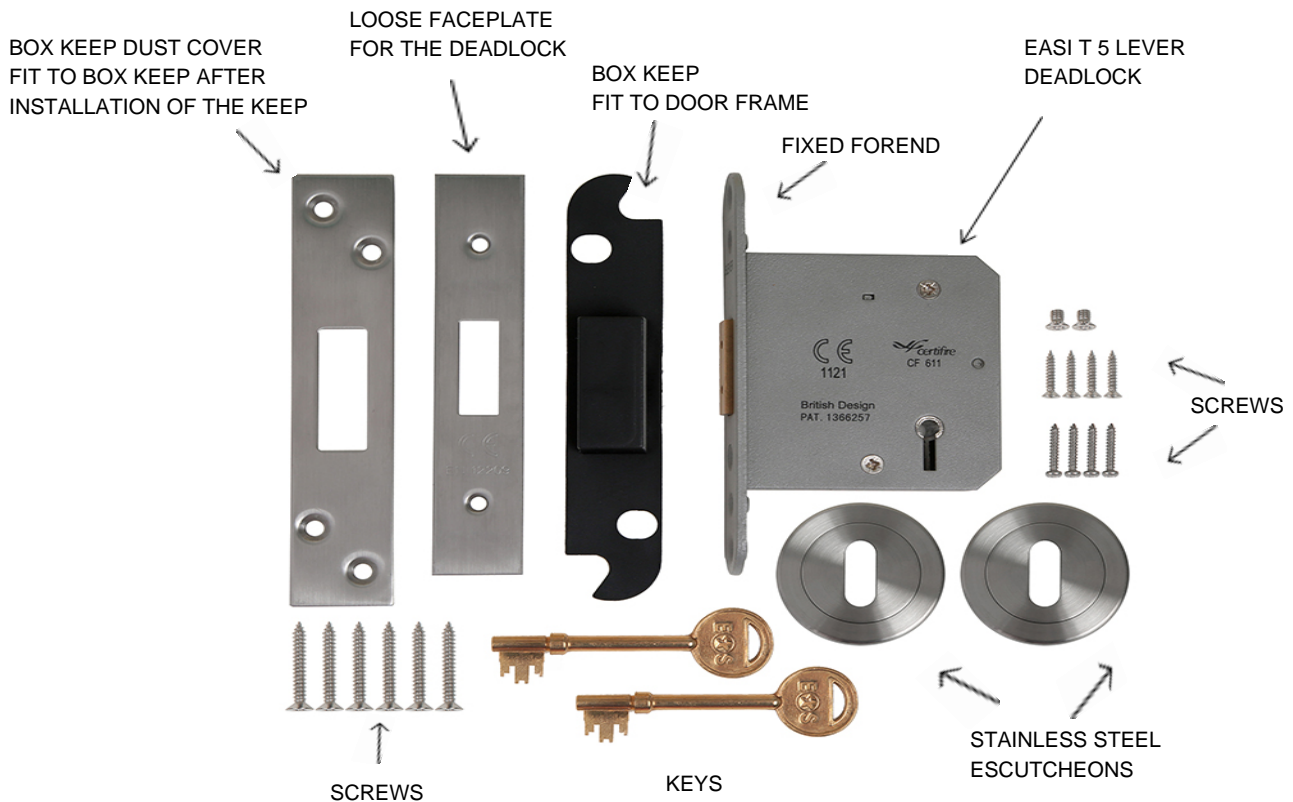
### Installing the Mortice Deadlock

**Note:** Although the instructions and illustrations partially refer to sashlocks, the same procedure applies to deadlocks.

To fit a Mortice lock you will require the following tools:

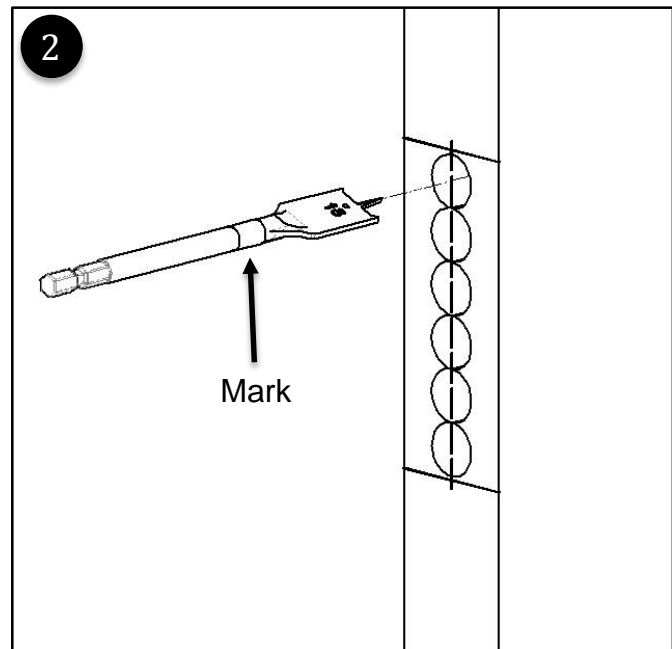
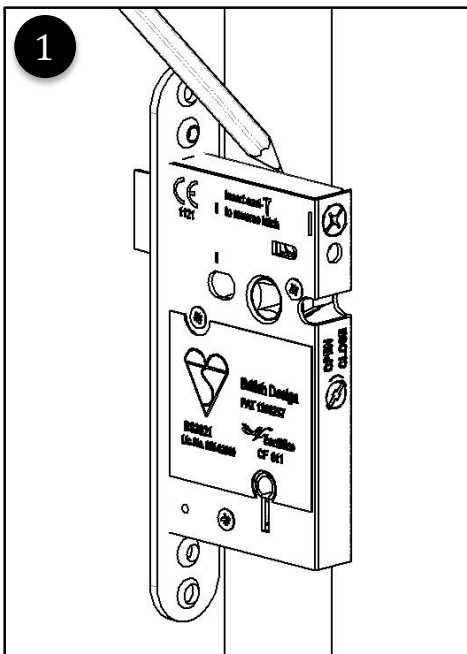
- Drill and drill bits
- Chisel
- Posidrive screwdriver
- Pencil
- Masking Tape
- Mallet

**Note:** It is recommended that suitable pilot holes are drilled before fitting fixing screws (especially in hardwood).



## Easi T 5 Lever MORTICE Deadlock (cont)

### INSTALLING THE LOCK



#### Preparation to the Door.

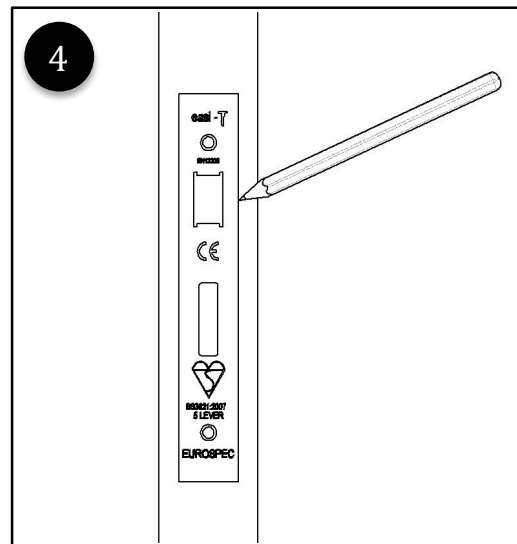
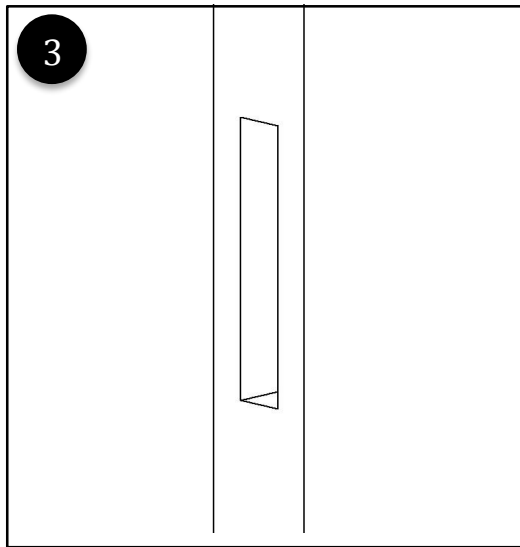
1. Position the lock body as near to the mid height of the door as possible. Place the lock body against and across the door edge and mark the top and bottom of the lock case as illustrated.
2. Along the door edge mark a vertical line central to the door thickness, which is used as a central guideline for a series of holes to be drilled to the required depth.

**The required depth = lock body depth + Fixed Forend and Loose Faceplate thickness.**

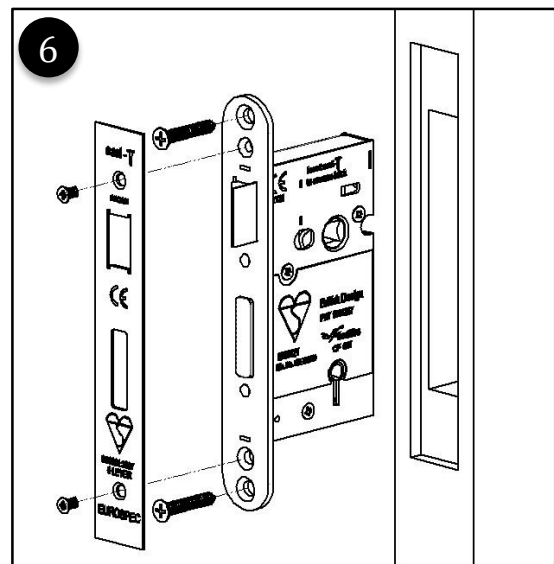
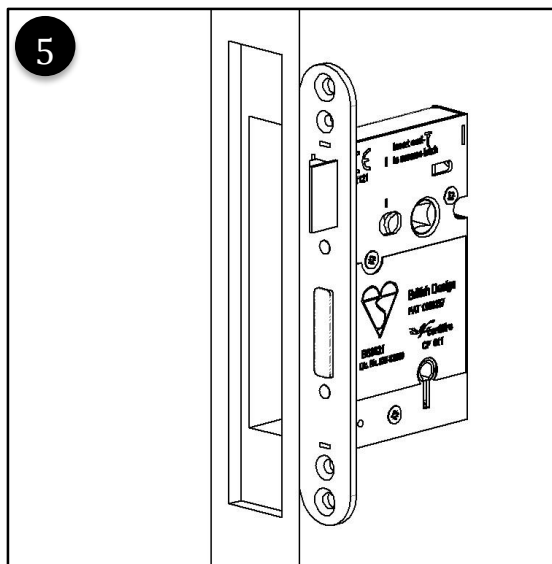
*Helpful Hints - Mark the "drill-bit" using adhesive tape or a suitable visible marker with the correct hole depth.*

The hole centres should be slightly less than the drill diameter in order that the drilled holes overlap.

## Easi T 5 Lever MORTICE Deadlock (cont)

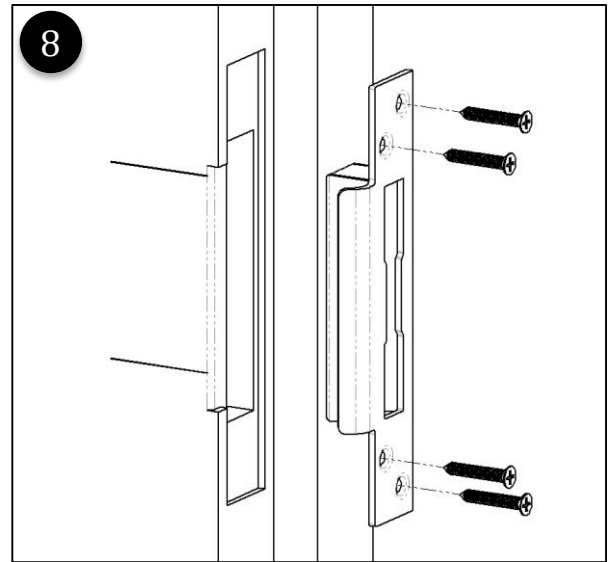
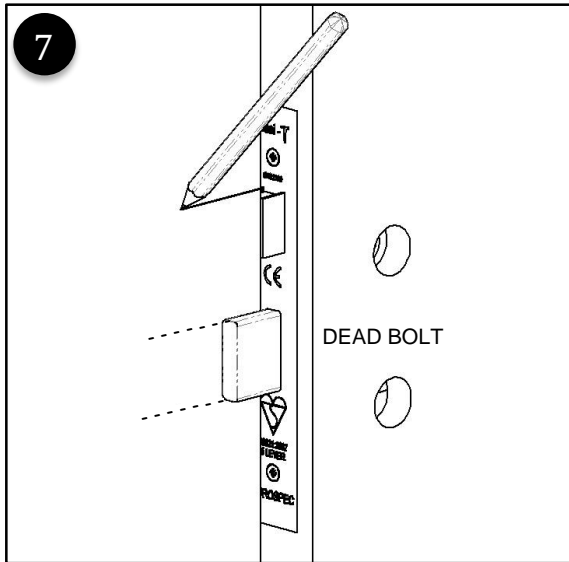


3. Chisel out the remaining wood to make a rectangular "slot" (Mortice) into which the lock body fits - with enough clearance.
4. Insert the lock body into the prepared morticed hole, placing the loose face plate over the fixed forend, temporarily screw the faceplate into position and mark around the lock faceplate and chisel out a recess to accept both fixed forend and loose face plate ensuring that when finally fitted the face plate is flush with the door edge.



5. Place the lock body against the door face and in line with the lock recess making sure that allowance is made for the loose faceplate, mark through and drill the hole positions for the Key (Deadlock).
6. Fix the lock complete with the loose face plate into the door with the screws provided ensuring the key, passes through freely into the lock.  
Test the final fitting ensuring that the Deadbolt operates freely.

## Easi T 5 Lever MORTICE Deadlock (cont)

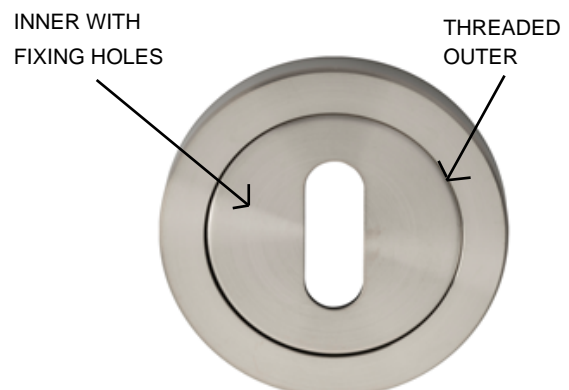


### Fixing the Box Keep Striker

7. When the lock is fitted, with the door in the open position, turn the key to operate the dead bolt into the "locked position", gently close the door against the frame and mark on the doorframe the top and bottom edge of the dead bolt.
8. Transfer these two marks across to the inside face of the doorframe rebate. Mark an additional horizontal line approximately 2mm above the top line. This line represents the top inside edge of the aperture within the striker and will provide operating clearance. To determine the horizontal position of the striker retract the dead bolt and close the door, applying a little pressure, mark a line on the inside rebate face against the flat face of the latch bolt. This line determines the outside striking edge of the "striker aperture". (See diagram 8).  
With the final position established mark around the Box Striker and drill a series of holes to the required depth removing excess wood with a chisel. Insert the dust cover and place over the box striker, mark around the outside of forend and chisel the recess, ensuring the depth is sufficient for the striker face to be flush with the inside rebate frame.

### ESCUTCHEONS

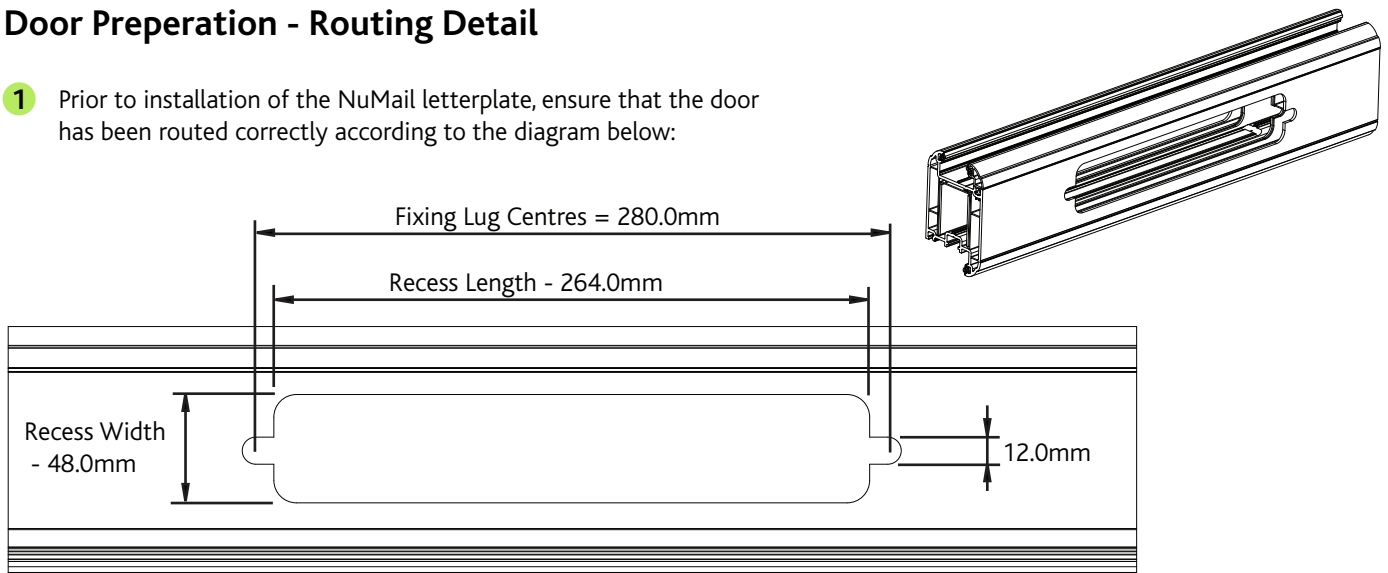
1. Unscrew the outer.
2. Position the inner part over the key hole and mark the screw positions.
3. Drill pilot holes then screw the inner into position on the door, ensuring the key can be inserted and turned freely.
4. Screw the outer cover onto the inner until tight.
5. Repeat for the other side of the door if using 2 Escutcheons.



## Fab&Fix LETTERPLATE (Nu Mail)

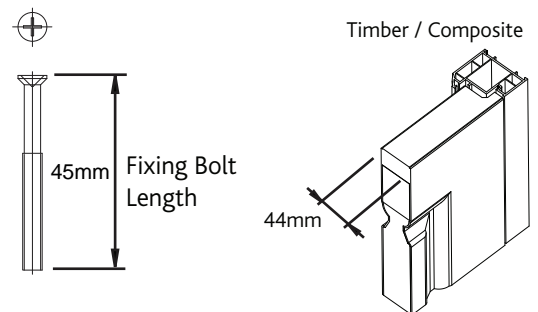
### Door Preparation - Routing Detail

- 1 Prior to installation of the NuMail letterplate, ensure that the door has been routed correctly according to the diagram below:

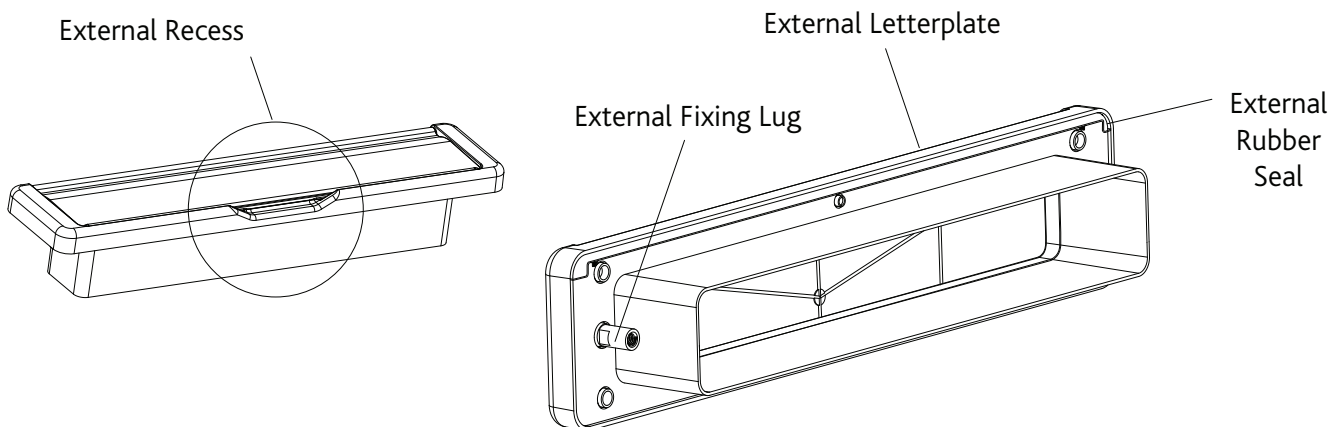


### Letterplate Assembly

- 2 The packaging contains three sizes of fixing bolts. The door thickness is 44mm so use the 2pc x 45mm length bolts



- 3 Identify which is the external and internal side of the letterplate. The external side of the letterplate is identified by the attached fixing lugs as per images below and can also be identified by the finger recess underneath the letterplate flap.



- 4 Push the internal and external parts of the letter plate together through the routed aperture, then fix in position by tightening the fixing bolts

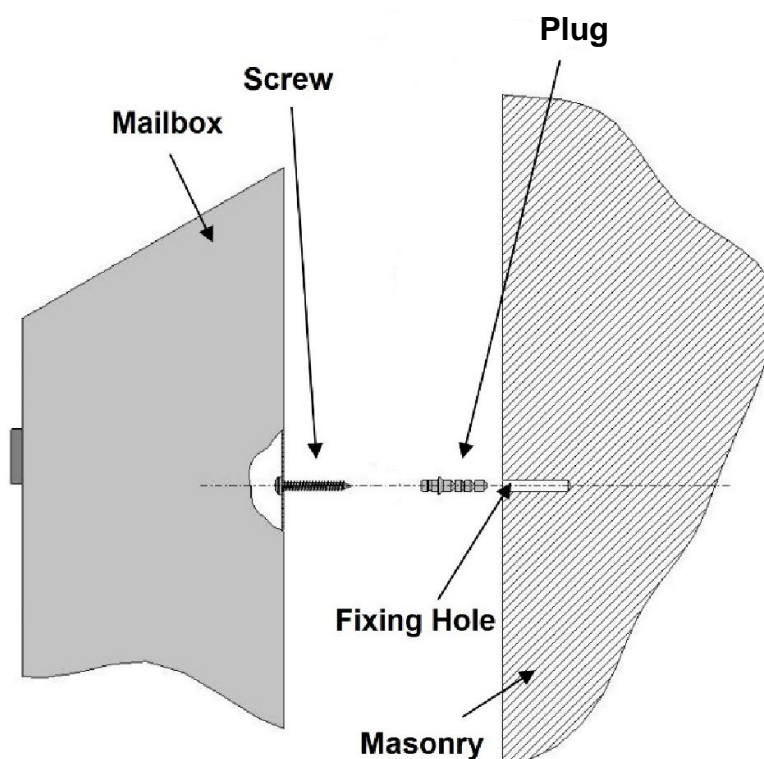
## Wall Mounted MAILBOX

### To install this Mailbox you will need;

- Electric drill
- Masonry Drill Bit
- Philips head screwdriver

### Fixing kit included with the Mailbox;

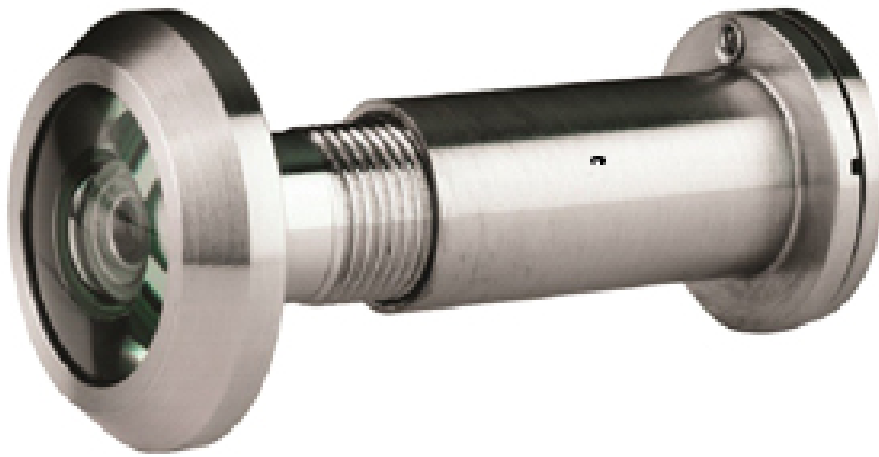
- 2 x Keys
- 4 x Screws
- 4 x Plugs



### INSTALLATION:

- 1 Choose the right position for your mailbox.
- 2 Mark the holes for the installation of the mailbox on the masonry ensuring the mailbox holes are level.
- 3 Pre-drill the holes for the masonry plug.
- 4 Use a hammer to tap the plugs into the pre-drilled holes until they are completely inside the hole and level with the outer surface of the masonry.
- 5 Install the mailbox onto the masonry, and tighten the screws.

## DOOR VIEWER 180 Degree With Crystal Lens



### Measure and mark where the door viewer will be installed

- Use the 6.5mm Dia pilot drill to drill a pilot hole (supplied in frame fixing kit)
- Use the 15mm Dia Flat Wood Bit to make the fitting hole (supplied in frame fixing kit)  
**IMPORTANT: Drill half way from one side and half way from the other.**
- Insert the door viewer through the hole and tighten.

