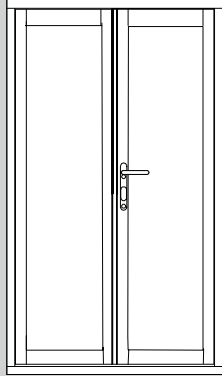
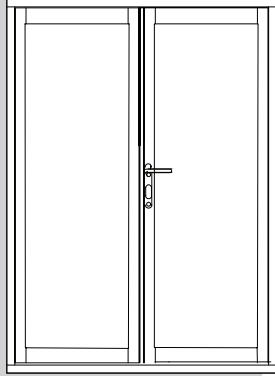


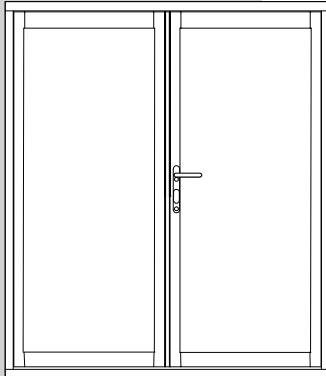
1.2M
1190mm x 2090mm



1.5M
1490mm x 2090mm



1.8M
1790mm x 2090mm



French Door Pairs

Assembly Instructions

About your French Doors

All products must be installed in accordance with accepted good trade practice (and in accordance with supplied instructions where applicable), and maintained in accordance with these procedures or else the warranty shall be void.

Important information

- We recommend that a competent tradesperson install this product.
- A single person must *never* carry out the installation, as some components are very heavy.

Care of doors and frames on site

- Please check doors, frame and cill at the time of delivery to ensure that they are acceptable and in good condition, and within 72 hours of delivery. If you find a component missing or damaged please inform us immediately. We keep replacement components of most set parts and these can be sent out to you quickly. This will save you having to re-package and return the whole set, and allows you to continue with the project. (See separate parts list for component reference numbers)
 - When storing prior to installation, the doors and frames should be handled with care and stored in a dry, ventilated building. Doors and frames should be stored flat and on a level surface (not on edge or on end).
 - Should you need to store the doors before installation, they must still be fully inspected and checked for damage or faults and reported within 72 hours of delivery, repacking if necessary.
 - Doors should not be stored or fitted in the building until the wet trades such as plastering, painting etc. have been completed and the room is dried out.
- The French patio door sets are manufactured using engineered timber components for additional stability. Each frame and door is manufactured with a hardwood core laminated and finger jointed together, faced with Oak LVL Veneer or hardwood veneer for Grey and White sets.
 - The complete set is pre-machined in the factory, ready to receive the hardware and only requires site assembly and installation into the brickwork opening.

The properties of timber

- No two trees produce identical grains or colour of wood and this adds to the beauty of a natural product. We therefore cannot guarantee that all doors and frame components will look exactly the same in grain and colour. Warping of wood is not a defect if it does not exceed 1/4 inch (6mm) in its installed position.

Trimming

- Generally this French Door Set is not designed to be trimmed on site and should be fitted as supplied.

Conditions of Sale

- We shall not be held responsible for any incidental work expenses arising out of or because of any defect in our product, or bad workmanship to our product. In the event of the goods having manufacturing defects and requiring replacement, our liability will be limited to the value of the door or frame or hardware component only. These notes do not affect your statutory rights with the retailer of this product.

Maintenance

This range of French doors have been factory pre-finished using a micro porous wood coating system to a closed pore finish.

Each set receives 3 coats of finish comprising a base coat and 2 top coats.

Maintaining the doors and frame

- We suggest additional treatment and finishing may be required at least once a year or sooner if there is any indication of deterioration in the wood protective finish used.

The finish should be regularly inspected every 3 months and re-coated when necessary, to maintain the decorative coating and protection of the product.

As a general guide white and grey sets have a higher UV Resistance, so should need re-coating less frequently, whereas the Oak finish has more limited UV Resistance and will need re-coating at least every 1 to 2 years depending on exposure levels.

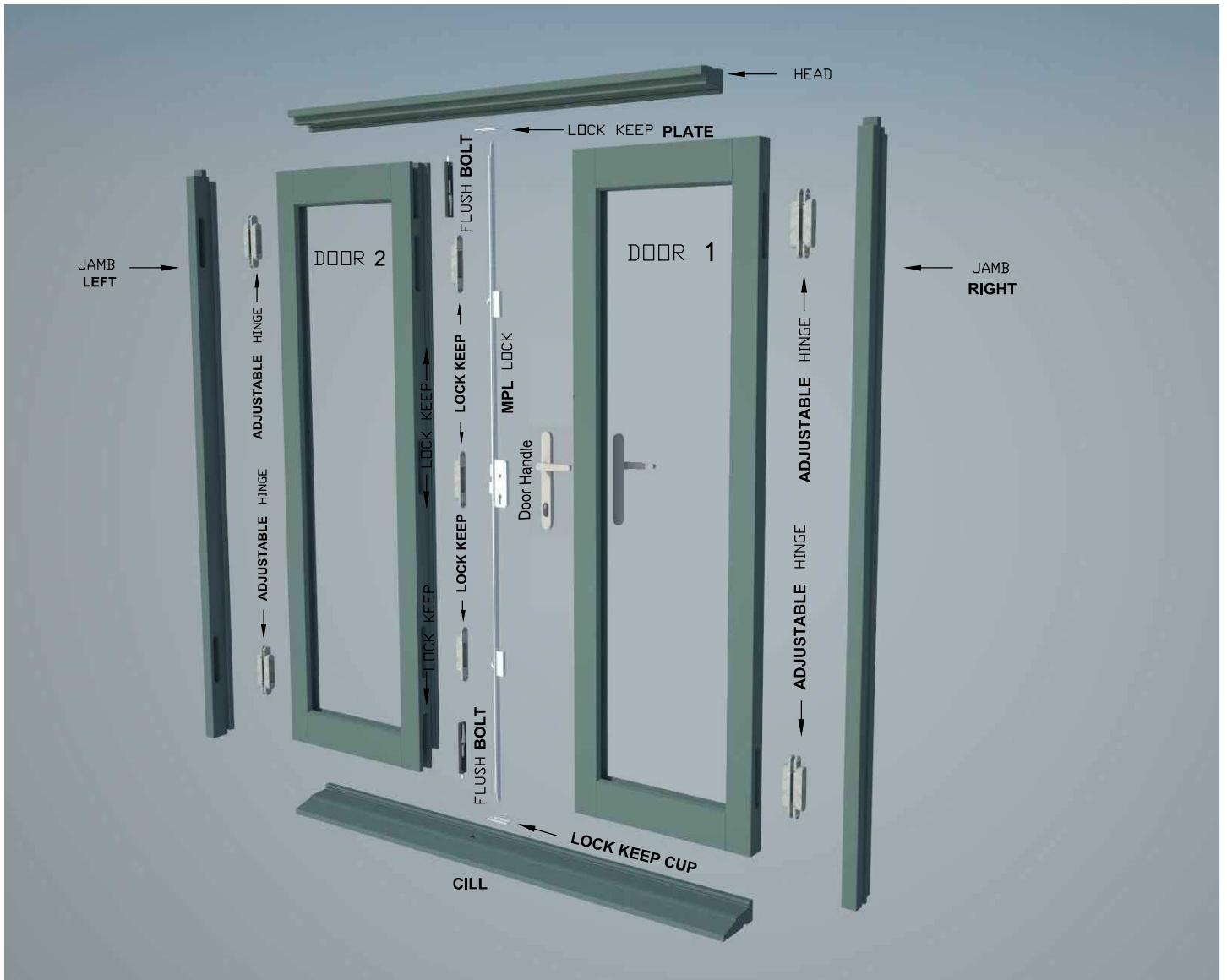
Hinges:

Wipe down the visible surfaces with warm soapy water on a soft rag and then rinse off by wiping with a clean damp rag. Application of a thin film of light machine oil or WD40 will help to maintain the original lustre of the metal finish. Be careful not to get these compounds on the timberwork itself as may cause staining.

Contents (1)

DOORS, FRAMES AND HARDWARE ASSEMBLY (Viewed from outside)

Please check the contents of the packages to ensure that all parts are present before beginning assembly.



Assembled Set Sizes

1.2m	1190mm Wide x 2090mm High
1.5m	1490mm Wide x 2090mm High
1.8m	1790mm Wide x 2090mm High

Brickwork Opening Sizes

1.2m	1200mm Wide x 2100mm High
1.5m	1500mm Wide x 2100mm High
1.8m	1800mm Wide x 2100mm High

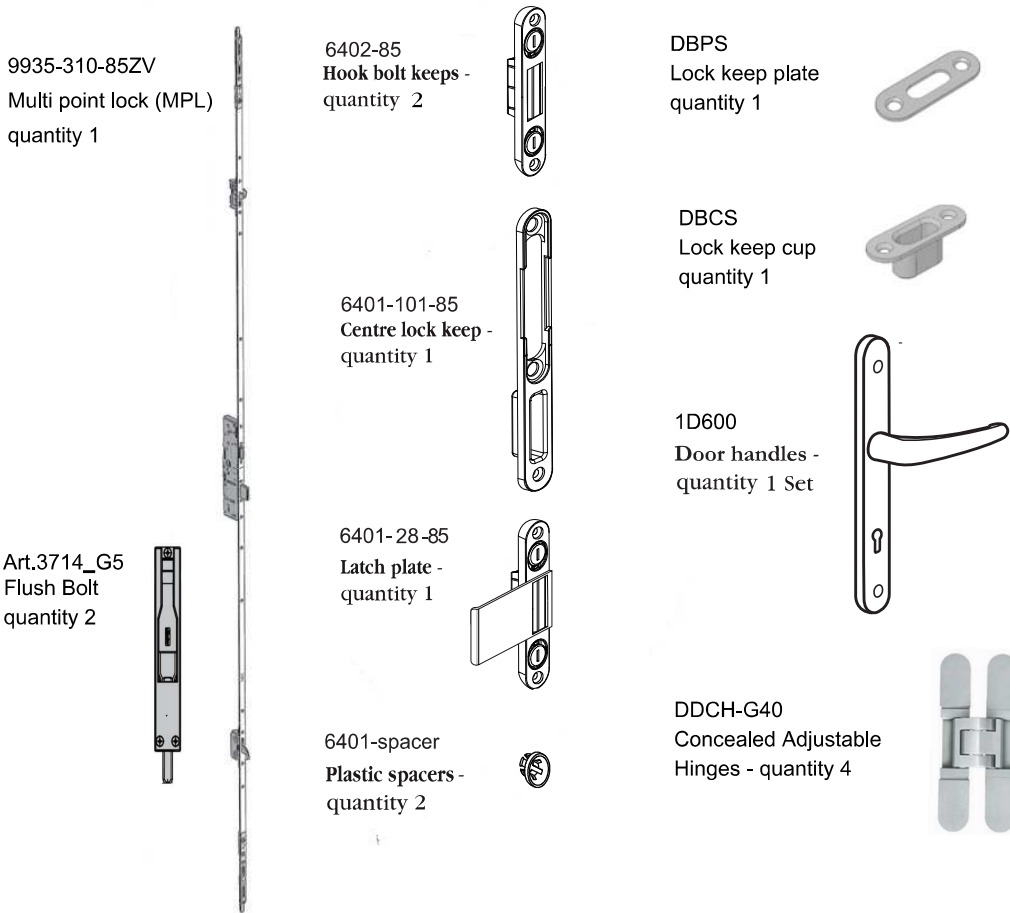
Timber Parts

Description	Quantity	
Door 1	1pc	FDPFO04S-1/FDPFO05S-1/FDPFO06S-1/FDPFG04S-1/FDPFG05S-1/FDPFG06S-1/FDPFW-1L-04S-1/FDPFW-1L-05S-1/FDPFW-1L-06S-1
Door 2	1pc	FDPFO04S-2/FDPFO05S-2/FDPFO06S-2/FDPFG04S-2/FDPFG05S-2/FDPFG06S-2/FDPFW-1L-04S-2/FDPFW-1L-05S-2/FDPFW-1L-06S-2
Frame Head Frame Jambs	1pc } 2pc }	FDPFO04S-3/FDPFO05S-3/FDPFO06S-3/FDPFG04S-3/FDPFG05S-3/FDPFG06S-3/FDPFW04S-3/FDPFW05S-3/FDPFW06S-3
Frame Cill	1pc	FDPFO04S-4/FDPFO05S-4/FDPFO06S-4/FDPFG04S-4/FDPFG05S-4/FDPFG06S-4/FDPFW04S-4/FDPFW05S-4/FDPFW06S-4

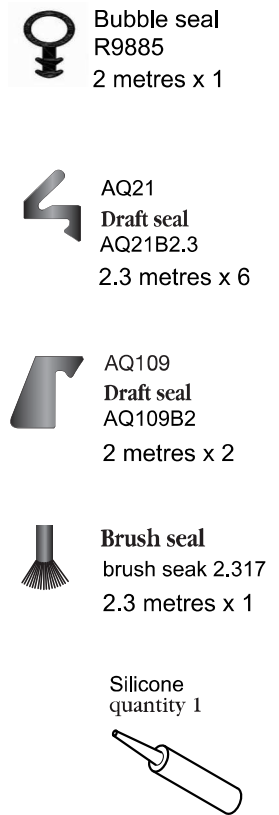
Contents (2)

Please check the contents of the packages to ensure that all parts are present before beginning assembly.

Hardware



Seals



K1570911(84)

Installation Bag Contents - quantity 1

Hardened steel wood screws
pozi flat countersunk yellow
(A) M5 x 80mm - quantity 4
(B) M5 x 60mm - quantity 4



(C) M5 x 25mm Pozi flat countersunk
Stainless Steel Wood screws - quantity 32

(D) Hardened steel frame fixings
7.5 x 92mm - quantity 10



(E) HSS long drill bit 6.5mm x 148mm - quantity 1



(F) SDS drill bit 6.5mm x 160mm - quantity 1



(G) 1/4 Hex T30 insert bit - quantity 1



(H) 1/4 Hex pozi No. 2 insert bit - quantity 1



(I) Cover Caps
Brown - quantity 10
White - quantity 10
Grey - quantity 10



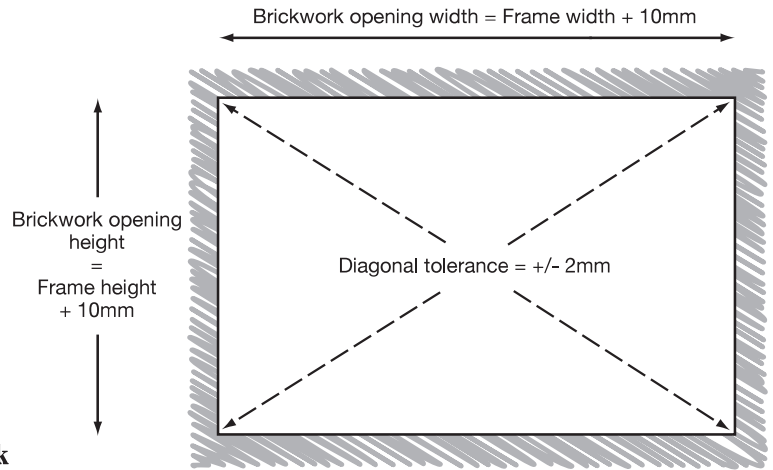
(J) Hardened steel wood screws
pozi flat countersunk
M4 x 40mm - quantity 21



Preparing the site

1 Brickwork opening:

When preparing the site please prepare the brickwork opening to be 10mm more in height and width than the outside assembled frame size. It is essential that all 4 internal surfaces of the brickwork be levelled before installation. Please ensure that all dimensions are correct for installation before proceeding, as the set must be installed square and level into the opening.



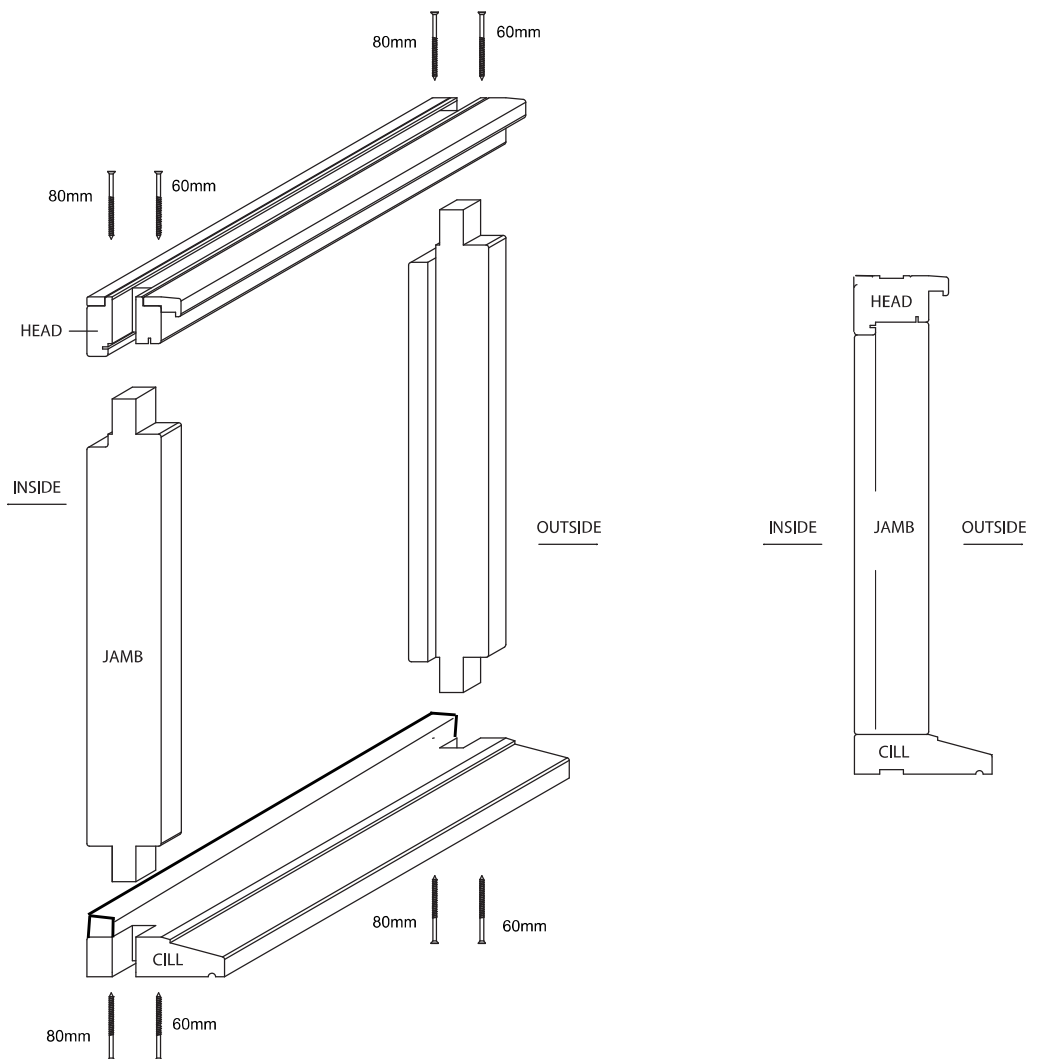
Set Size	Assembled Outer Frame size	Brickwork Opening Size
1.2M	1190mm x 2090mm	1200mm x 2100mm
1.5M	1490mm x 2090mm	1500mm x 2100mm
1.8M	1790mm x 2090mm	1800mm x 2100mm

2 The doors open OUTWARDS

Assemble the frame by gluing the Frame Jambs into the Frame Head, using waterproof glue and securing with 80mm and 60mm Woodscrews provided, through the pre-drilled holes.

Use silicone to fix Frame Jambs into the Cill and secure with the 80mm and 60mm Woodscrews provided, through the pre-drilled holes.

Ensure the frame is assembled absolutely true and square with a diagonal tolerance of maximum +/- 2mm



Installing the assembled frame

3 Installing The Frame Into The Brickwork Opening

Drill fixing holes as shown.

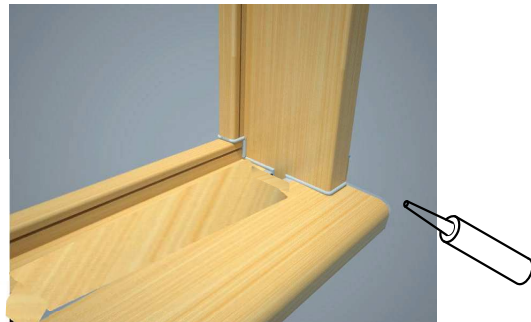
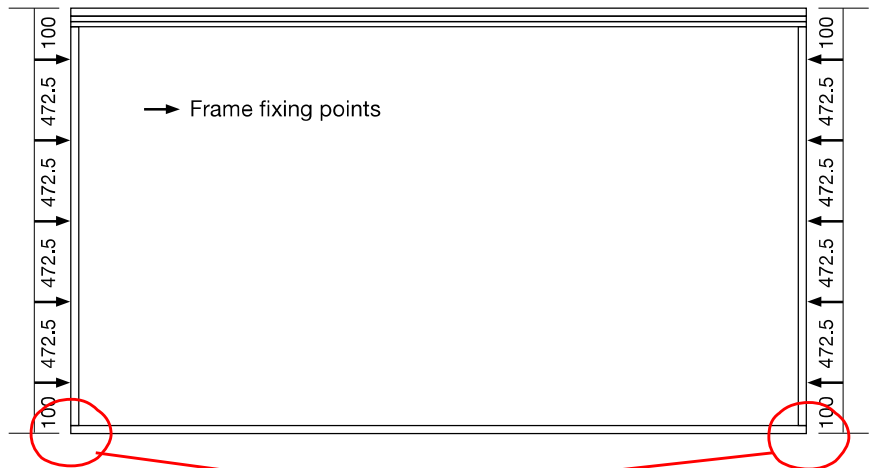
Use spacers or packers to hold the frame in the correct position (D).

Check that the jambs are vertical from side to side and back to front, using a spirit level and plumb bob.

Ensure the frame is square, with maximum +/- 2mm on the installed diagonal measurement of the frame.

Use the direct frame fixings as follows:

- 1) Use the 6.5mm HSS drill (E) to drill holes in the frame jambs.
- 2) Use the 6.5mm SDS masonry drill (F) to drill into the brickwork.
- 3) Use the torx 1/4 hex T30 bit (G) to screw in the direct frame fixings (D).
- 4) Cover using white, brown or grey cover caps (I).



IMPORTANT NOTE

After the frame is installed, Silicone Seal around the base of the frame jamb/Cill joint as shown in the drawing using the clear silicone provided.

Fitting the hinges and Frame Seals

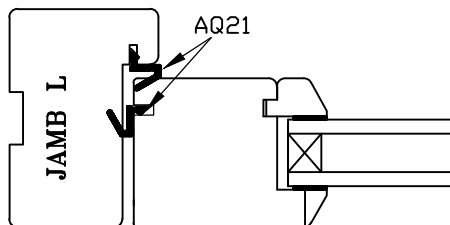
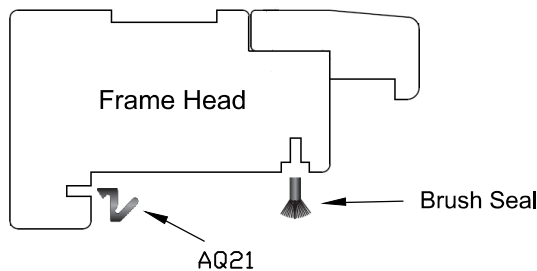
For installation of the doors and hardware, please refer to the **DOOR FRAME AND HARDWARE DRAWING** page 3.

4 First identify Door 2 left door and Door 1 right door.
When looking from the outside towards the inside, with the frame in the correct open out position:

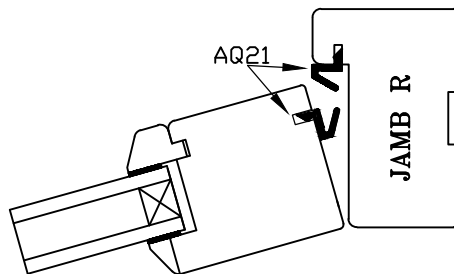
Door 2 is installed on the left and is the fixed door.

Door 1 is installed on the right and is the active or main opening door.

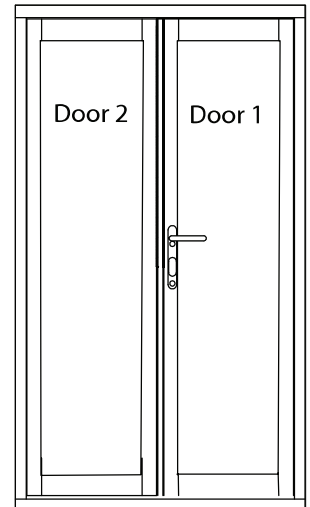
4a Fit the AQ21 Weather Seals into the frame, in the pre machined grooves.
Fit the Brush Seal into the frame head.



DOOR 2

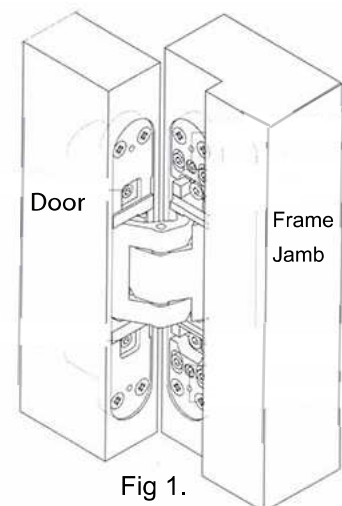


DOOR 1



4b Identify the concealed, adjustable hinges (4pc)
Adjust all 4 hinges so they are set to their highest point-
(See page 11 for height adjustment.)

Establish the correct location for the hinge plates (Fig 1)
Fit the hinges as shown, securing with M5 x 25mm Pozi
steel wood screws (C) provided, 4 per hinge.



Installing the doors into frame

5

- a. Take door 2 and position it adjacent (when viewed from outside) to the left frame jamb, then carefully lift the door until the hinges align with the machining in the door and temporarily support with packers, then fix the hinges to the door using the M5 x 25 Pozi steel wood screws (C) provided (4 per hinge).
- b. Take door 1 and position it adjacent (when viewed from outside) to the right frame jamb, then carefully lift the door until the hinges align with the machining in the door and temporarily support with packers, then fix the hinges to the door using the M5 x 25 Pozi steel wood screws (C) provided (4 per hinge).

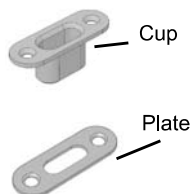
Fitting the locks, keeps and handles

- 6a** Install the Multi point lock (MPL) into the machined position on the inside edge of Door 1, using the M4 x 40mm Pozi steel wood screws (J) provided (17).

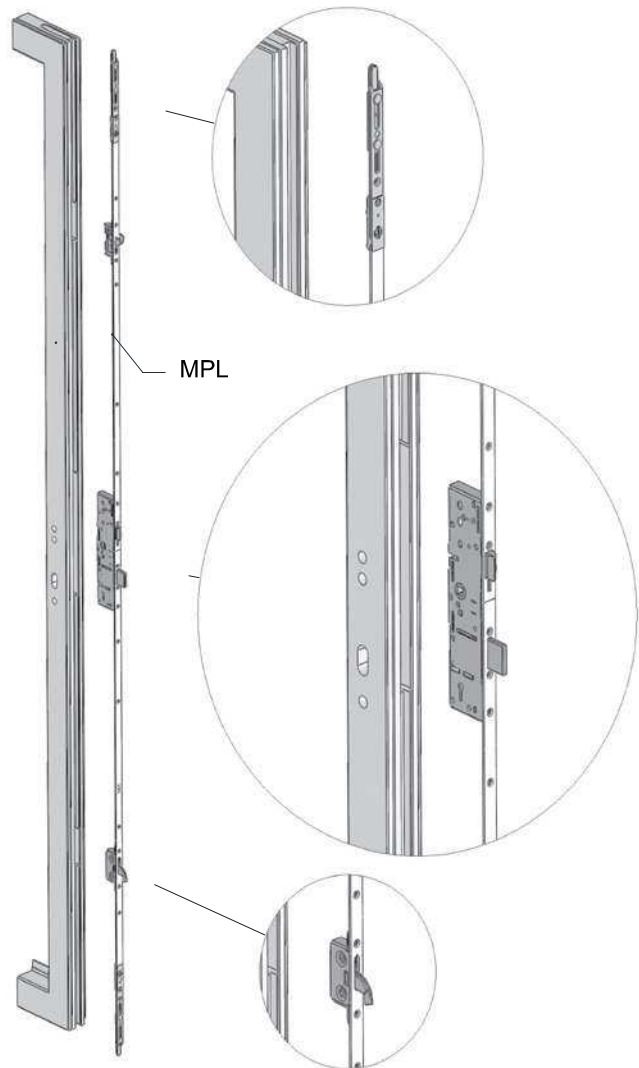
- 6b** Fit the flush Bolts into the machined positions on the top and bottom inside edge of Door 2, using the self tapping screws provided within bolt bag (3 per bolt).



- 7** Fit the keyed drop bolt cup to the cill in the pre-cut position using the 2 x M4 x 35mm phillips screws provided.

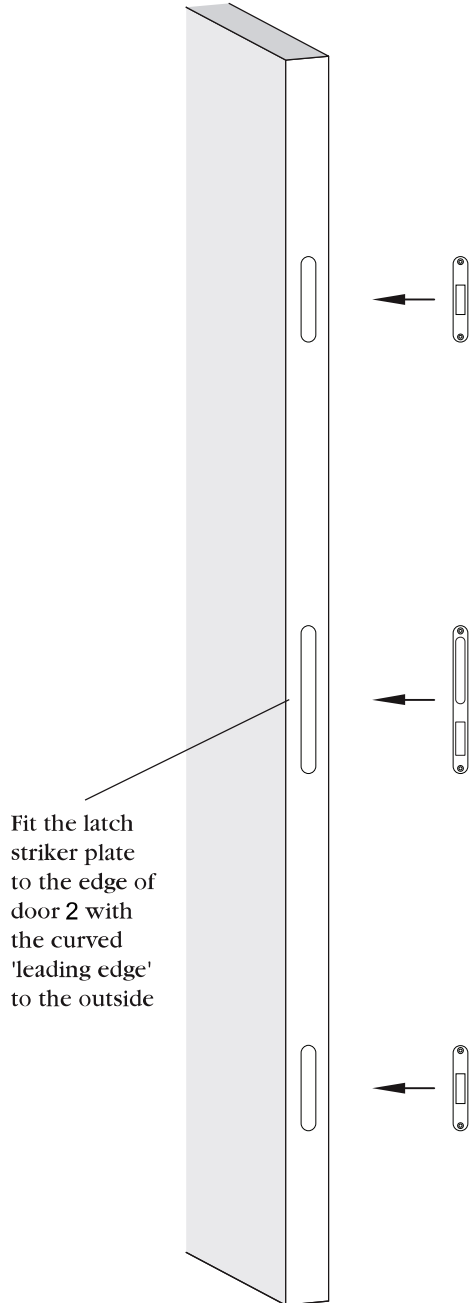


Fit the drop bolt striker plate to the frame head in the pre-cut position, using the 2 x M4 x 35mm phillips screws provided.



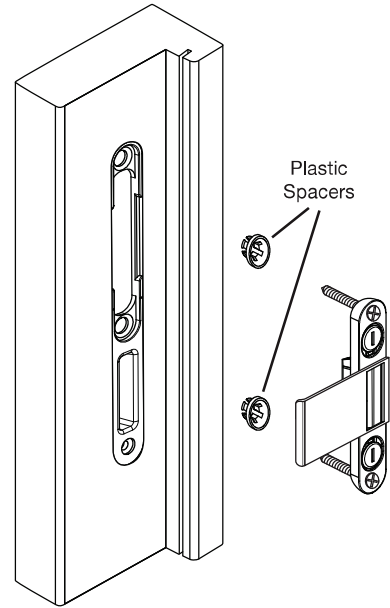
Fitting the locks, keeps and handles (Cont)

8a Fit lock keeps into the edge of door 2 using the pre-cut positions and using the M4 x 40mm Pozi steel wood screws (J) provided (7).



Fit the latch striker plate to the edge of door 2 with the curved 'leading edge' to the outside

8b Fit the latch striker plate and keep onto the plastic spacers.

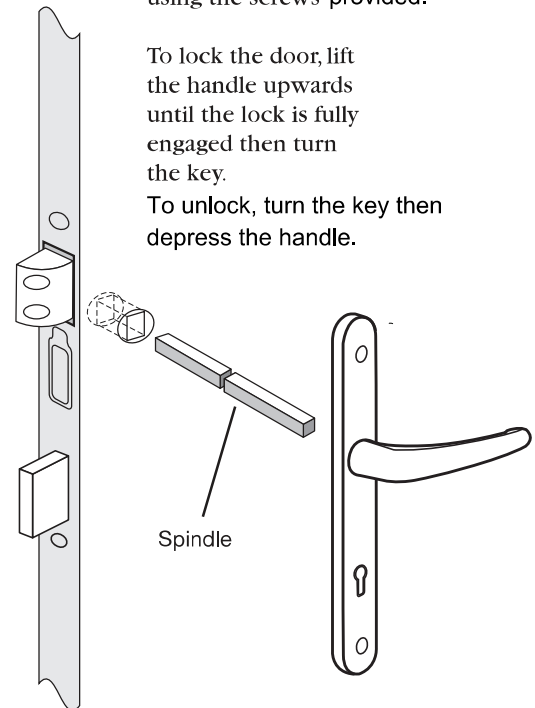


9 *Fitting spindle and handle assembly.*

Insert the spindle through the lock and fix both handles using the screws provided.

To lock the door, lift the handle upwards until the lock is fully engaged then turn the key.

To unlock, turn the key then depress the handle.



Fitting the weather seals to the doors

10 Fit the weather seals following the diagram below;

AQ21

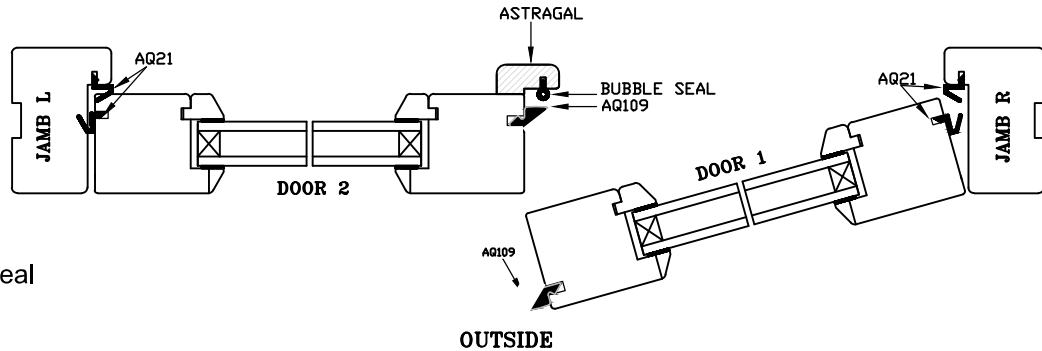


AQ109



Bubble seal
R9885

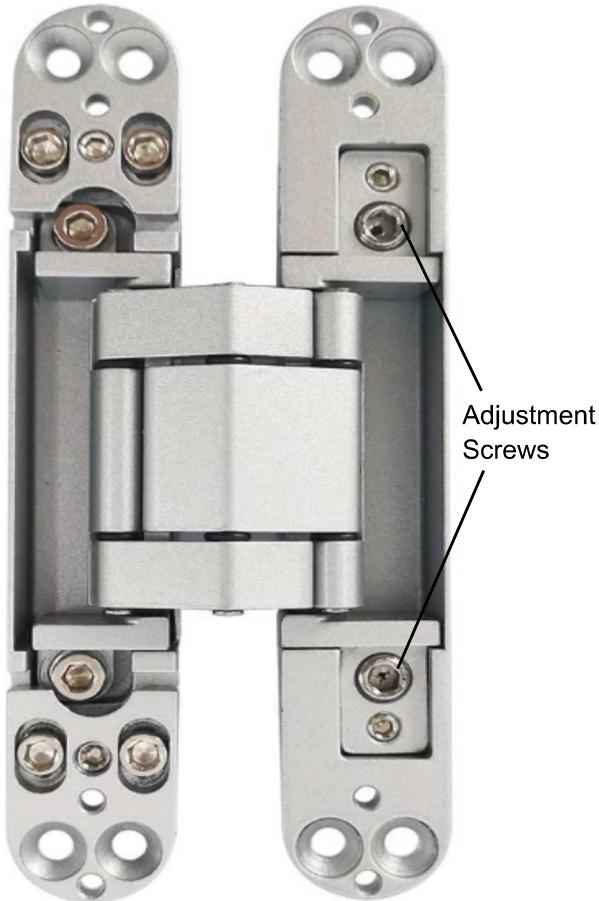
TOP VIEW LOCATION OF SEALS



Final adjustment of the Concealed adjustable hinges

11 Carefully close the doors together to check how they are sitting in the frame. Adjust the 4 hinges to position the doors with even spacing between the doors and the frame, so that they open and close smoothly without catching, ensuring the lock operates smoothly when locking and unlocking.

Width adjustment (Horizontal)

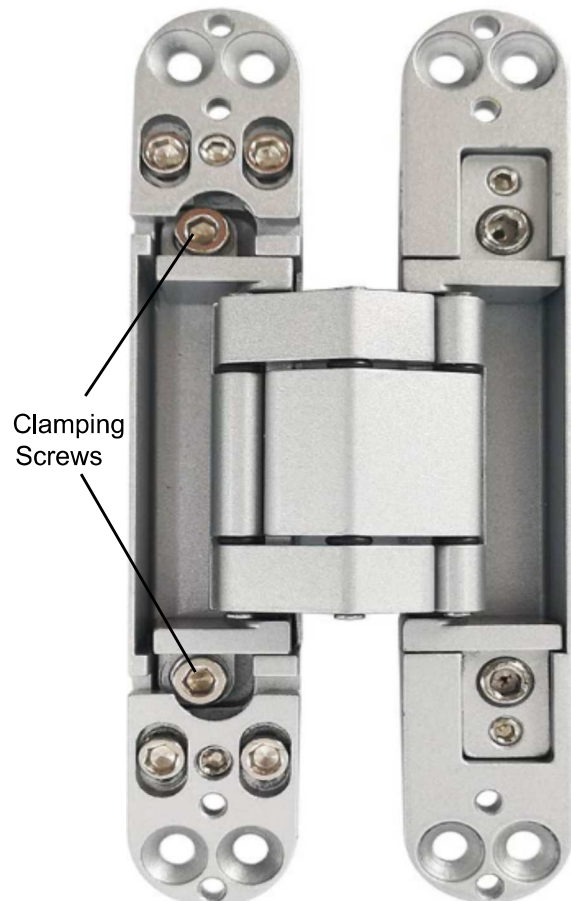


Width adjustment (Horizontal)

- Locate the top adjustment screw
- Insert the 4mm Allen Key provided
- Turn clockwise to position the doors closer together
- Turn anti-clockwise to position the doors further apart
- Repeat the process on the bottom adjustment screw

Adjust each hinge as required to achieve even spacing in-between the doors and the outer frame.

Depth adjustment (In / Out)

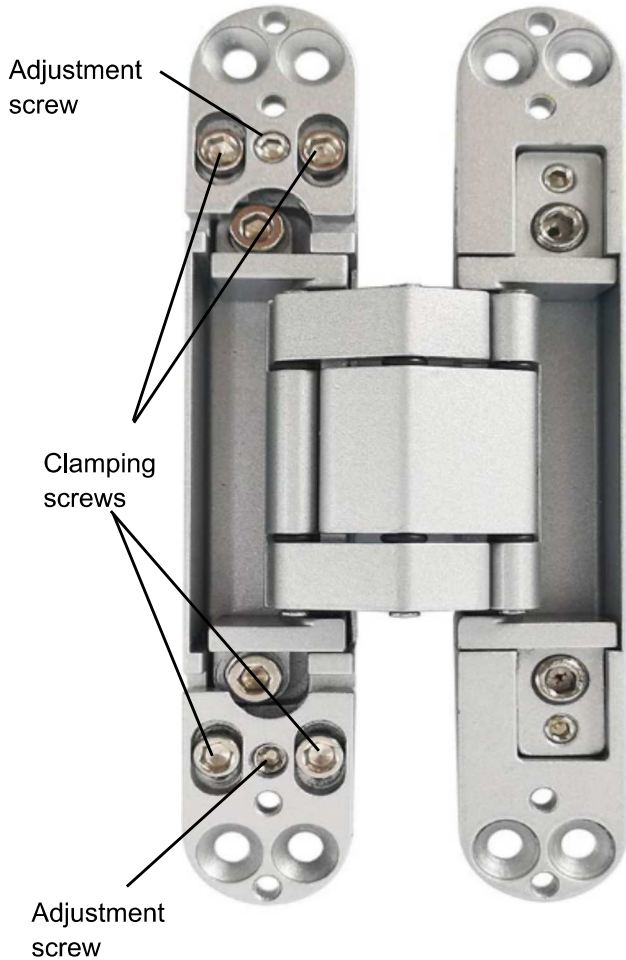


Depth adjustment (In / Out)

- Locate the 2 clamping screws on each of the top and bottom hinges
- Insert the 4mm Allen Key and turn anti-clockwise slightly to loosen them off
- Manually align the door into the desired compression and turn all the clamping screws clockwise to re-tighten
- Repeat the process on the adjacent door if required

Final adjustment of the Concealed adjustable hinges

Height adjustment (Vertical)



NB/ recommended spacing (height);
3mm between top of door and frame head
5mm between bottom of door and frame cill

Height adjustment (Vertical)

To raise the doors;

- Locate the 4 clamping screws and 2 adjustment screws on each of the top and bottom hinges
- Insert the 4mm Allen key into the clamping screws and turn anti-clockwise to loosen them
- Insert the 3mm Allen key provided into the adjustment screws and turn anti-clockwise to loosen them
- Manually raise the door into the desired position and re-tighten all clamping & adjustment screws

To assist, the doors can be raised or lowered using an air wedge (being careful not to over inflate) or supports.

Repeat the process on the adjacent door if required.

To lower the doors;

- Place air wedges or supports under the doors
- Locate the 4 clamping screws and 2 adjustment screws on each of the top and bottom hinges
- Insert the 4mm Allen key into the clamping screws and turn anti-clockwise to loosen them
- Insert the 3mm Allen key into the adjustment screws and turn anti-clockwise to loosen them
- Manually lower the door into the required position by deflating the air bags or lowering the supports
- Re-tighten all clamping screws and adjustment screws

Repeat the process on the adjacent door if required.

12 After adjustment of the hinges has been completed, fit the plastic covers onto the concealed hinges.





Macclesfield, Cheshire SK10 2BN

DECLARATION OF CONFORMANCE

DoC N°: JCI/FD54S

Product Type:	54 Range - Timber French Door
Intended Use:	For use in domestic and commercial premises Not intended for use on escape route
Declared System of Assessment Performance:	3
Provisions to which the Product Conforms:	Annex ZA of BS EN 14351-1:2006+A1:2010
Reference to Supporting Product Certification and/or Test Reports <i>(supportive of compliance)</i> :	Thermal Performance Report CU19081-1 Weather Tightness Report W19375-1
Declared Performance:	Performance
Essential Characteristics	
Resistance to Wind Load:	Class A3
Watertightness:	Class 3A (100pa)
Dangerous Substance:	No emissions of dangerous substances emitted
Load Bearing Capacity of Safety Device:	Npd
Thermal Transmittance:	1.4w/(M ² K)
Air Permeability:	Class 4 (600pa)

This declaration of performance is issued under the sole responsibility of JCI Limited.

Signed for and on behalf of the Company by

Name of Representative: John Collins

Job Title: Managing Director

Representative Signature:

Date of Issue: 19th November 2019

Product CE Marking Detail:

