

INTERIOR

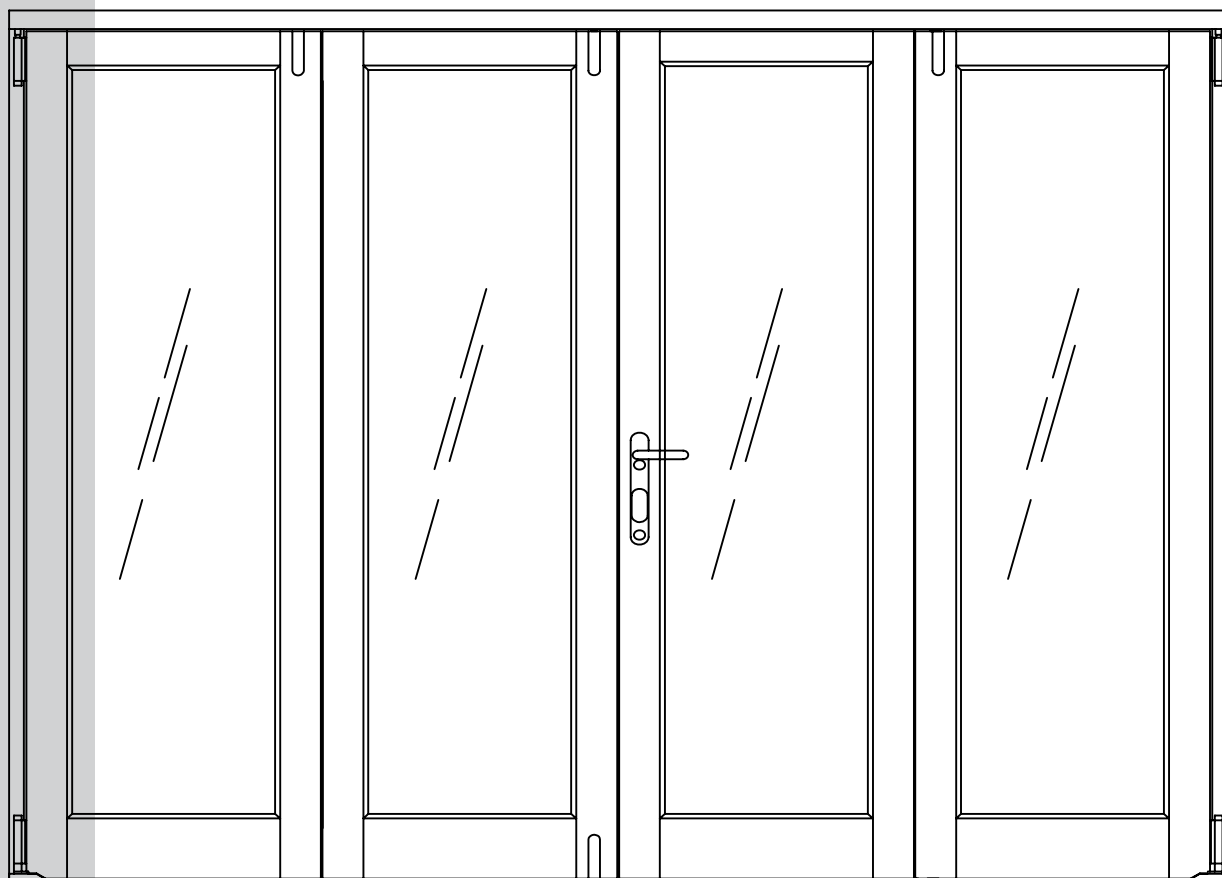
Folding room divider Sets

2.4M - 2390mm W x 2007mm H

2.7M - 2690mm W x 2007mm H

4 DOOR SET

Assembly Instructions



About your folding internal room divider set

All products must be installed in accordance with accepted good trade practice (and in accordance with supplied instructions where applicable), and maintained in accordance with these procedures or else the warranty shall be void.

Important information

- We recommend that a competent tradesperson install this product.
- A single person must *never* carry out the installation, as some components are heavy.

Automatic Closures and Operators

- The hardware systems are designed for manual operation. Poorly adjusted automatic operator closers can impart significant destructive forces to tracks, bearings and stops. Such hardware used in installations is expressly excluded from warranty terms.

Care of doors and frames on site

- Please check doors and frame at the time of delivery to ensure that they are acceptable and in good condition, and within 72 hours of delivery. If you find a component missing or damaged please inform us immediately. We keep replacement components of most set parts and these can be sent out to you quickly. This will save you having to re-package and return the whole set, and allows you to continue with the project. (See pg 3 for component reference numbers)
- When storing prior to installation, the doors and frames should be handled with care and stored in a dry, ventilated building. Doors and frames should be stored flat and on a level surface (not on edge or on end).
- Should you need to store the doors before installation, they must still be fully inspected and checked for damage or faults and reported within 72 hours of delivery, repacking if necessary.
- Doors should not be stored or fitted in the building until the wet trades such as plastering, painting etc. have been completed and the room is dried out.

Finishing prior to Installation

- See *Pre-finishing the wooden parts* - Very important: We do not recommend wax or oil based finishing systems

Trimming

- This internal folding door set is not designed to be trimmed on site and should be fitted as supplied.

Conditions of Sale

- We shall not be held responsible for any incidental work expenses arising out of or because of any defect in our product, or bad workmanship to our product. In the event of the goods having manufacturing defects and requiring replacement, our liability will be limited to the value of the door or frame component only. These notes do not affect your statutory rights with the retailer of this product.

Maintenance

Hardware in buildings is subject to deterioration from everyday use. We require the following minimum maintenance to be followed otherwise the warranty shall be void.

Pivots and Hinges:

A light spray application of a lubricant such as WD40, followed by a light wipe with a dry cloth to remove excess, is recommended to all pivots and hinges.

Drop bolts:

Spray application of a suitable lubricant such as WD40 to the sliding pin inside the bolt is recommended. A tube attached to the nozzle will help to concentrate the spray where you want it to go.

Frequency:

The procedures mentioned above need to be carried out as often as is necessary to maintain smooth operation, however we recommend a minimum frequency of application every 6 months.

Please be careful not to get the lubricants or other liquids above on the Timber components as may cause staining of the timber.

The properties of timber

No two trees produce identical grains or colour of wood and this adds to the beauty of a natural product. We therefore cannot guarantee that all doors and frame components will look exactly the same in grain and colour. Warping of wood is not a defect if it does not exceed 4mm.

Maintaining the doors and frame

We suggest additional treatment and finishing may be required periodically to maintain the fine appearance.

Pre-finishing the wooden parts (unfinished oak only)

After you have checked the parts list to ensure you have all the parts ready and all components are in good condition (replacement parts are available) please carry out the pre-finishing procedure specified.

Please do not proceed with installation or assembly before applying a high quality decorative wood coating like clear polyurethane varnish or woodstain or paint to all the wooden parts as recommended below. It will be difficult for you to apply the wood coating correctly once the product is assembled and installed. Failure to totally finish the doors and frames will expose them to the ambient room conditions and will invalidate the guarantee.

- Apply at least 3 coats of the decorative protective wood coating to all faces, edges and the top and bottom of each door and the oak door frames, following the wood finish or paint company's recommendations.
- To enhance the 'Natural Oak' appearance use a clear or natural interior polyurethane varnish. If you require a different wood finish choose a wood stain with a varnish in it or, if using stain only, you need to apply 2 top coats of clear varnish on top of the stain to adequately protect the doors and frames.
- We do not recommend wax or oil finishing systems such as linseed oil or teak oil.

Very Important: Do not use steel wool or allow steel or iron fragments to come into contact with the untreated oak timber as this will cause oxidisation

Contents

IMPORTANT: Please check the contents of the packages to ensure that all parts are present and in good condition before booking your installation

Timber parts

Door 1 - Pivot door - quantity 1	40INS08FB-1 / 40INSPFW-08-1 40INS09FB-1 / 40INSPFW-09-1
Door 2 - Access door - quantity 1	40INS08FB-2 / 40INSPFW-08-2 40INS09FB-2 / 40INSPFW-09-2
Door 3 - Pivot door - quantity 1	40INS08FB-3 / 40INSPFW-08-3 40INS09FB-3 / 40INSPFW-09-3
Door 4 - Access door - quantity 1	40INS08FB-4 / 40INSPFW-08-4 40INS09FB-4 / 40INSPFW-09-4

2.4m Door size : 1967mm x 578mm x 40mm
2.6m Door size: 1767mm x 653mm x 40mm

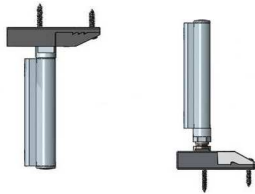
Head frame section - quantity 1	} 40INS08FB-5 / 40INSPFW-08-5 40INS09FB-5 / 40INSPFW-09-5
Side frame sections (jambs) - quantity 1 Set	

(Included in Frame Pack)
Timber Astragal - quantity 1

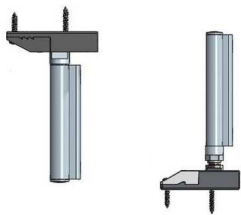


INSHD08 Hardware

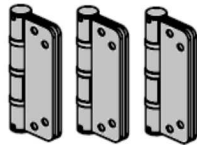
Top Plastic pivot left x 1
Bottom Metal pivot left x 1



Top Plastic pivot right x 1
Bottom Metal pivot right x 1

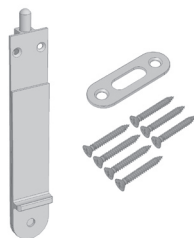


Half offset hinges - quantity 3 x 2 sets
Half offset hinges fixing pack - quantity 1 pack

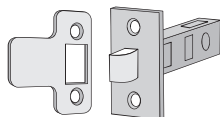


Minuet drop bolt non keyed - quantity 4

Non-keyed drop bolt fixing pack - quantity 4 packs
Includes drop bolt receiver plate or cup



Tubular mortice latch 185-55RFBODY-B and keep 189-56RFKEEP - quantity 1



Seals 2.4m Doors

	Draft seal AQ21	2.3 metres x 4	AQ21B2.3
	Bubble seal 5mm	2.3 metres x 3	R9885
	Brush seal	2.31 metres x 1	brushseal2.317

Seals 2.6m Doors

	Draft seal AQ21	2.3 metres x 4	AQ21B2.3
	Bubble seal 5mm	2.3 metres x 3	R9885
	Brush seal	2.31 metres x 2	brushseal2.317

K1570911(38)

Installation Bag Contents - quantity 1

Hardened steel wood screws pozi flat countersunk yellow

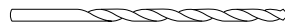


A) M5 x 70mm - quantity 6

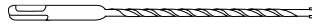
B) Hardened steel Direct frame fixings - quantity 15



C) HDS long drill bit 6.5mm x 148mm - quantity 1



D) SDS drill bit 6.5mm x 210mm - quantity 1



E) 1/4 Hex T30 insert bit - quantity 1



F) Cover caps
Brown - quantity 10
White - quantity 10



G) HSS drill bit 7mm - quantity 1



H) M4 x 40mm screws - quantity 4



Plugs - quantity 4



I) 1/4 Hex pozi No.2 insert bit - quantity 1



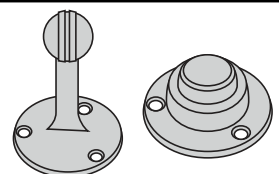
J)

K)

L) 3/4" Pozi wood screw - quantity 5

Optional extra

DDDS035
Metal door holders
- quantity 2 sets

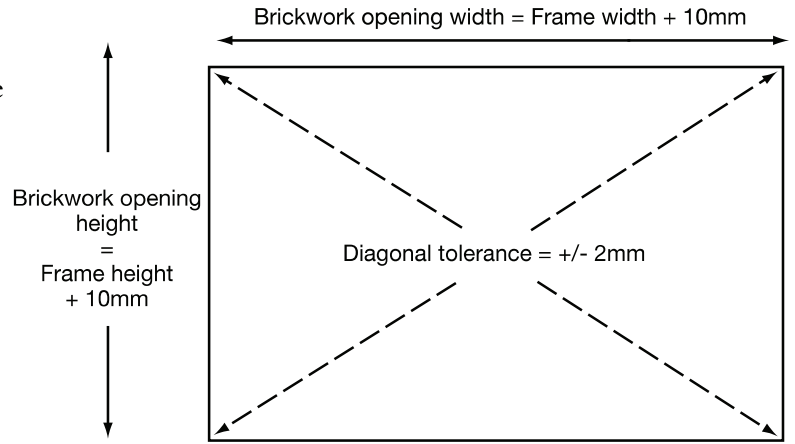
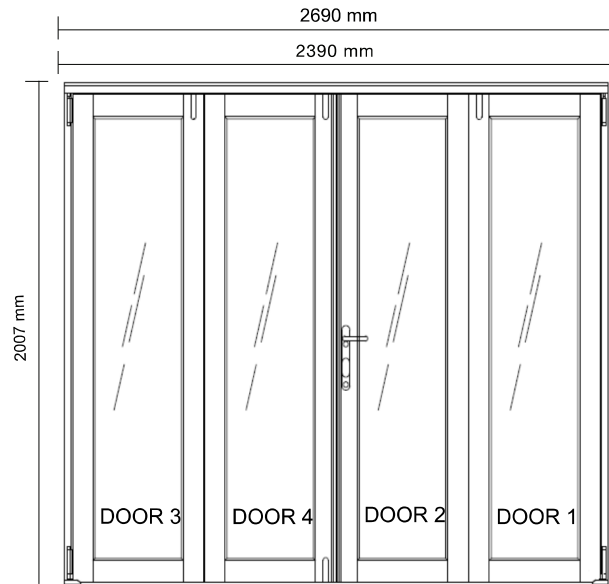


Preparing the site

Brickwork opening:

When preparing the site please prepare the brickwork opening to be 10mm more in height and width than the outside assembled frame size.

It is essential that all 4 internal surfaces of the brickwork be levelled before installation. Please ensure that all dimensions are correct for installation before proceeding, as the set must be installed square and level into the opening.



VERY IMPORTANT.

The frame and doors are designed to be installed **ON TOP OF THE FLOORING OR FLOOR COVERING.** If installing onto a sub floor, which, will then have flooring on top of it, you will need to install the frame allowing for the thickness of the flooring or floor covering.

The Folding internal Door
outer frame size is:

2.4m - 2390mm Wide x 2007mm High
2.7m - 2690mm Wide x 2007mm High

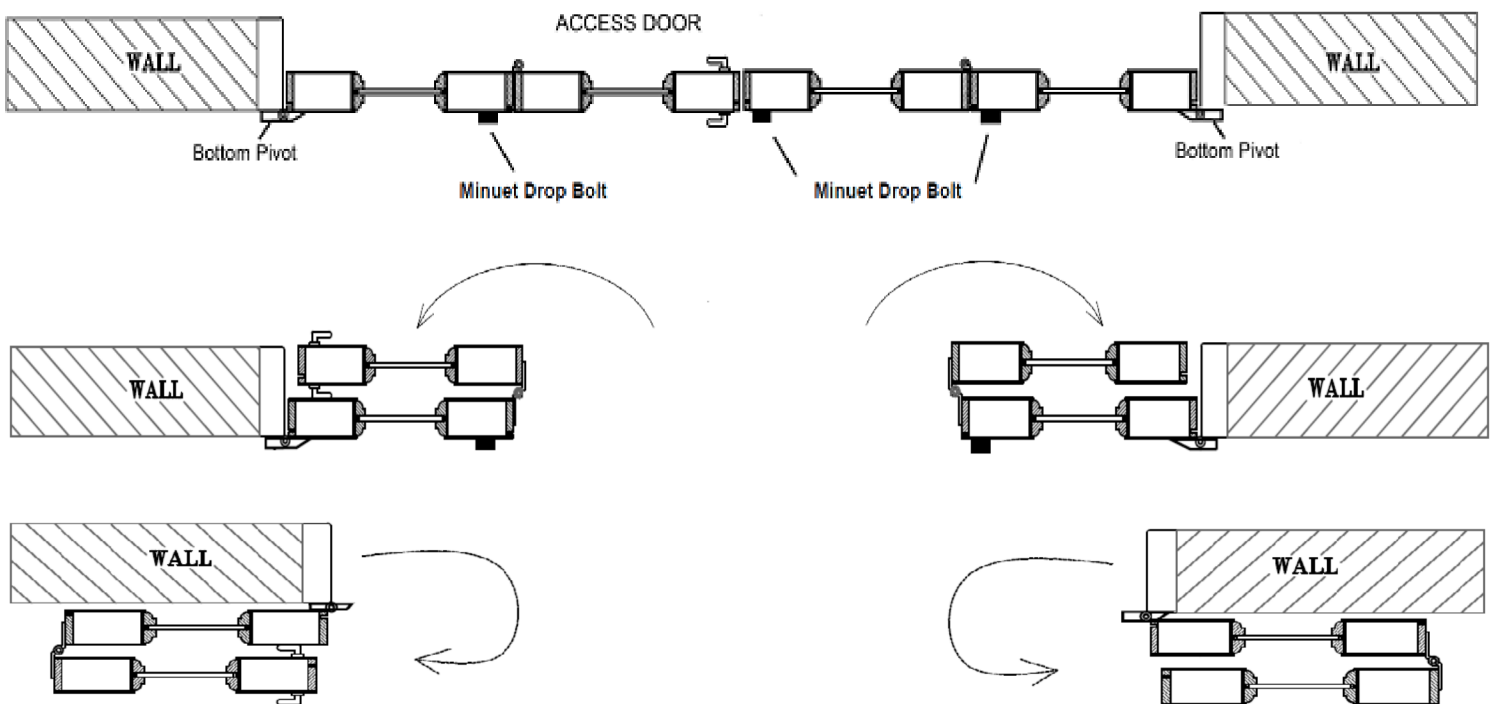
The brick work opening is:
(Based on finished floor level)

2.4m - 2400mm Wide x 2017mm High
2.7m - 2700mm Wide x 2017mm High

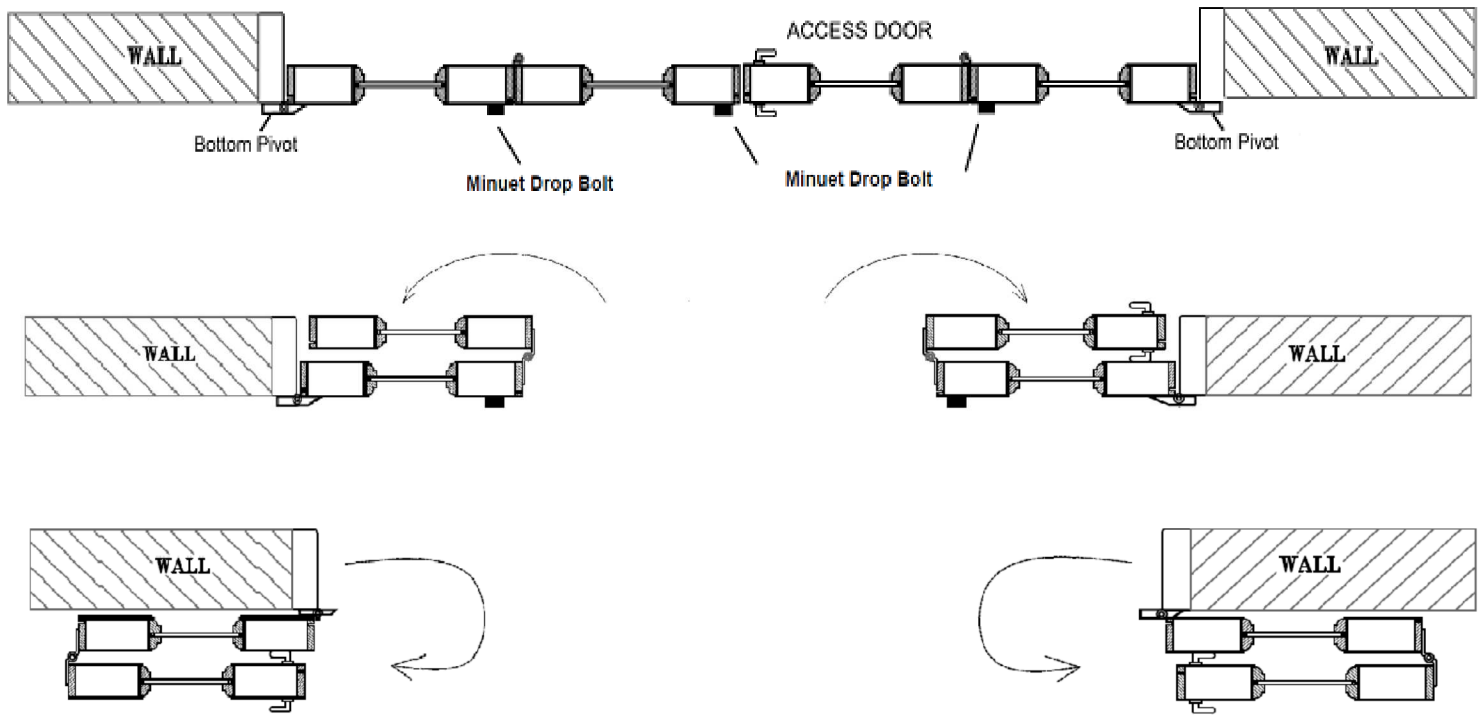
Choosing the Opening Direction

The access door is always one of the middle doors. This door set can be installed with the access door on the left or right hand side by swapping the middle doors and rotating them 180 degrees.

LEFT OPENING (Access door in middle left position when viewed with the doors coming towards you)



RIGHT OPENING (Access door in middle right position when viewed with the doors coming towards you)



The room in which the doors fold into can be reversed by rotating the outer frame 180 degrees before installation.

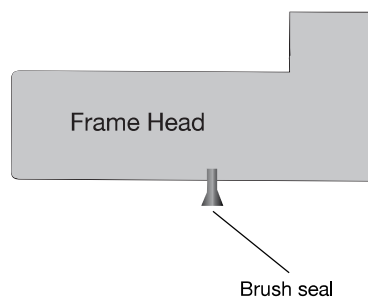
The upstand on the frame head will dictate if the outer doors come towards you or away from you. Ensure the upstand is on the same side you want the doors to ultimately fold round against the wall.

Assembling the frame

1 Assemble the jambs to the frame head with the M5 x 70mm wood screws (A) provided, through the pre-drilled holes.



2 Fit the brush seal into the frame head before fixing into the opening for ease.



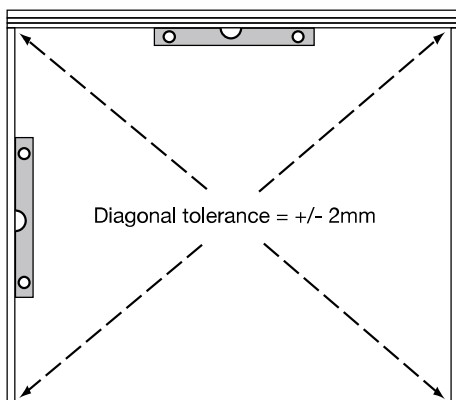
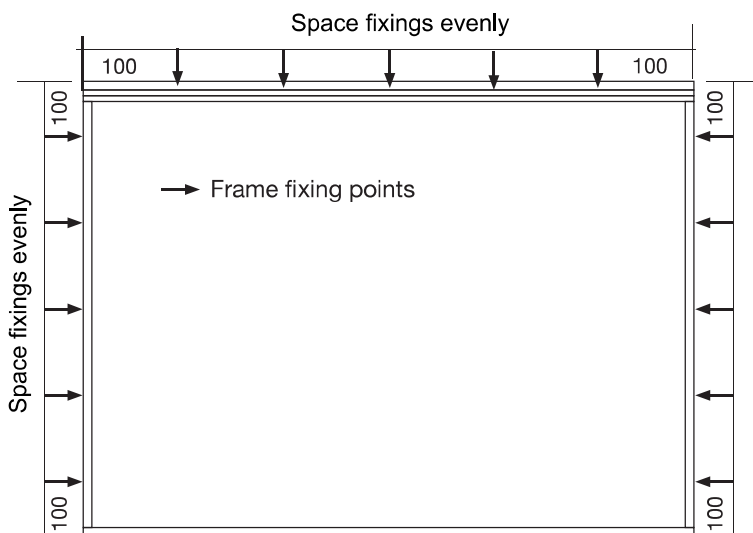
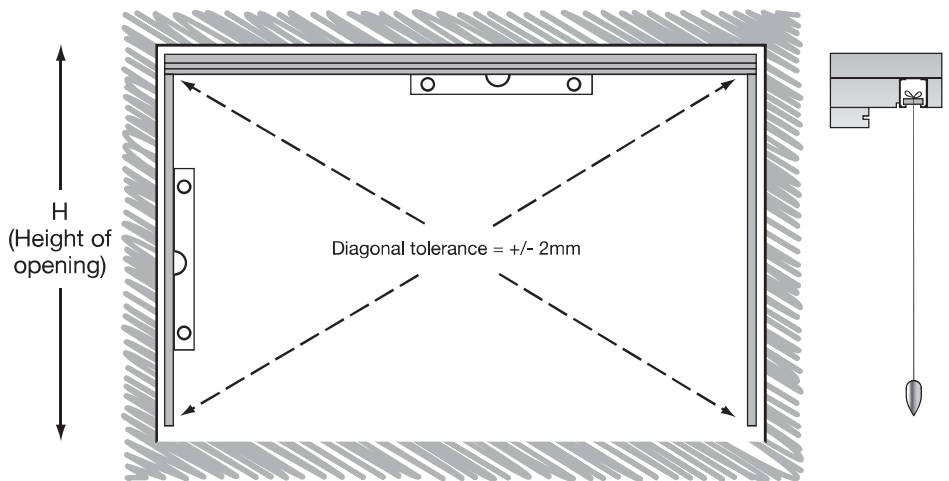
Installing the assembled frame

Proceed to install the assembled frame. **It is critical that the frame is fitted square and level** with tolerances as follows. Ensure the frame is installed straight and square, Use shims (packers) between the frame and the brick opening.

The height (H) must be the same across the whole width of the opening, $\pm 2\text{mm}$.

The diagonals must be the same, $\pm 2\text{mm}$.

It is very important the frame jambs are level. Place a spirit level on the face and sides of each jamb and check before proceeding.



3 Secure the Jambs and Frame head into the brick work/stud wall opening with 5 fixings - evenly spaced - in the frame head and in each frame jamb, using the **direct frame fixings** (B) provided (unless the construction your building requires more appropriate fixings to suit the individual dwelling). Countersink holes in frame.

Important: Ensure the countersunk frame fixing holes are located where the closed doors will cover them up, so they are only visible when the doors are open.

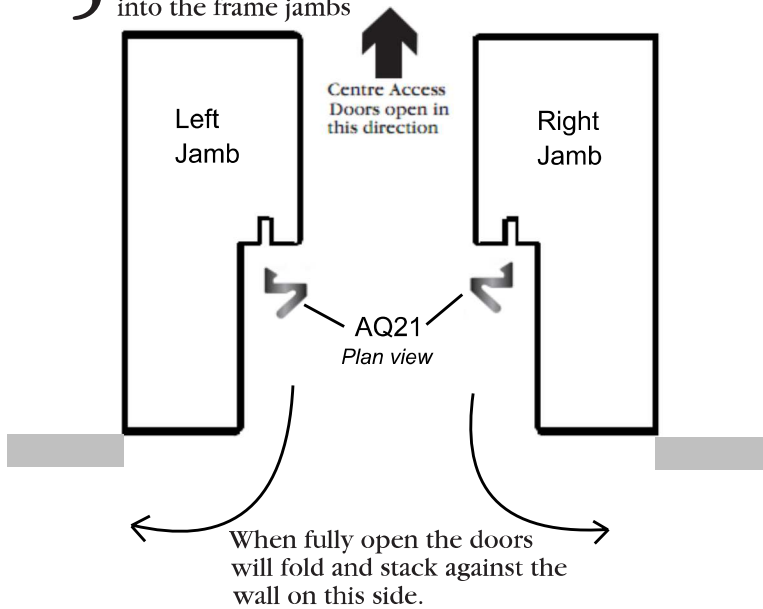
Use the **direct frame fixings** as follows:

- 1) Use the 6.5mm x 148mm (C) HSS drill (supplied) to drill holes in frame jambs and Frame head.
- 2) Use the 6.5mm x 210mm (D) SDS masonry drill (supplied) to drill into the brickwork.
- 3) Use the Torx T30 bit (E) (supplied) to screw in the **direct frame fixings** (B)
- 4) Cover using the Brown or White cover caps provided (F)

4 Very Important. Carefully check frame is tightly fixed together and is square. Diagonals of frame must be equal $\pm 2\text{mm}$.

Do not proceed with the installation if the frame is not square.

5 Fit the AQ21 draft seal into the frame jambs



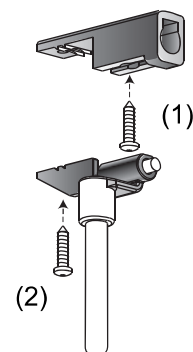
Fitting the top and bottom pivots

6 Locate the top pivots (which have the plastic base.)
The pivots fit into the machined slots in the frame head.
Ensure the end of the pivot is level with the outside of the jamb, with the adjuster screw to the inside of the frame.

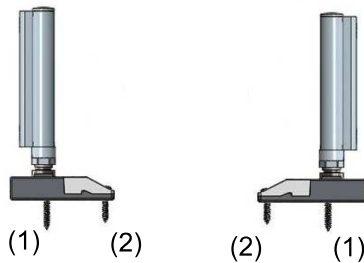
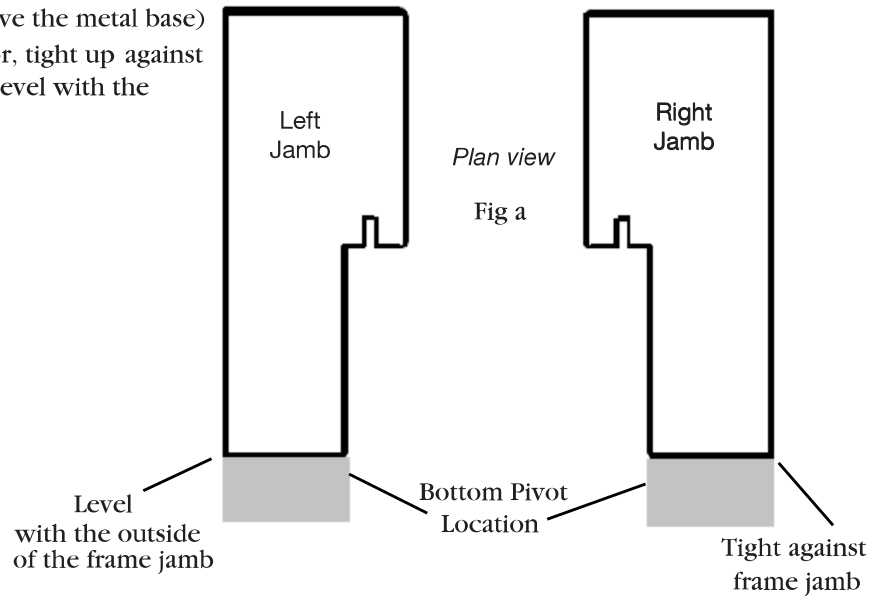


7 Remove the centre part of the pivot and screw the pivot base into the machined slot using the screw hole closest to the jambs (1)

Then re insert the centre part of the pivot and screw through BOTH parts of the pivot into the machined slot using screw hole (2)



8 Locate the bottom pivots (which have the metal base)
 The pivots must be fitted to the floor, tight up against the edge of the frame jamb and exactly level with the outside face of the frame jamb
 See plan view Fig a



9 The bottom pivots should be fixed with the adjuster screw facing to the inside of the frame
 Remove the centre part of the pivot base. Drill into the floor using the 7mm Masonry drill (G) using the screw hole (1) closest to the jambs using the M4 x 40mm screws (H) and Pozi No. 2 bit (I) and plugs (plugs for concrete floors only).

Then re-insert the centre part of the pivot and screw through BOTH parts of the pivot into the floor using screw hole (2)

THE PIVOTS MUST BE INSTALLED completely LEVEL with the pivot pin UPRIGHT at 90 degrees, not leaning left or right
IMPORTANT

The pivot base must be very securely fixed to the floor, as the bottom pivots take the weight of the doors.

VERY IMPORTANT

The pivot centres must be installed so the small slot above the adjuster nut faces towards you and is accessible for adjustment.

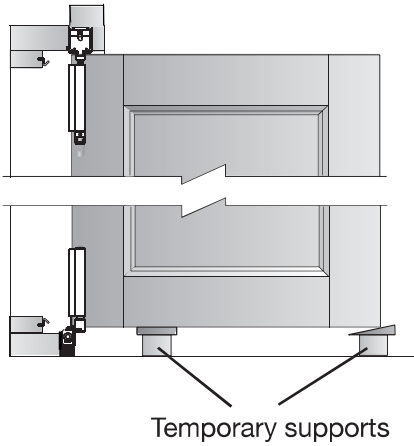
The pivots enable lateral (side to side) adjustment for the doors. It is important any skirting or architrave stops at the end of the bottom pivot block rather than being cut in / around the pivot block or pin, as this will restrict full range of adjustment. See below;



Installing the Pivot Doors

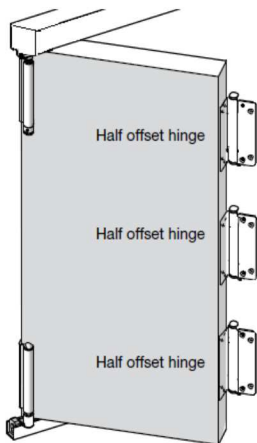
10 Locate the pivot doors, Door 1 and Door 3.

Fix the bottom pivot hinge plate **ONLY** onto the edge of door 3 using the screws provided into the pre-drilled holes.



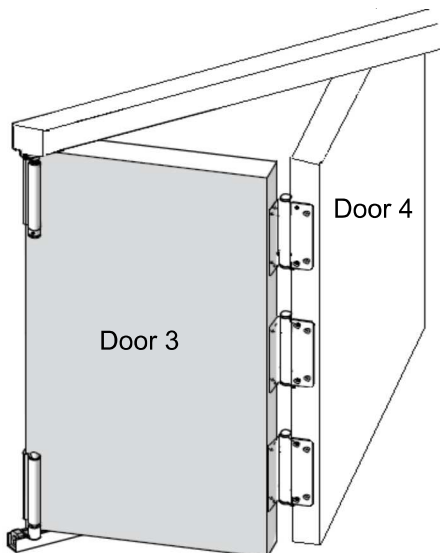
11 Lift the door onto the bottom pivot. Support the door and slide the top pivot hinge plate over the pivot pin, then fix hinge plate to the edge of the door using the screws provided into the pre-drilled holes.

Repeat the process for the Door 1 pivot door.



12 Fit half offset hinges to the inside edge of door 1 and Door 3.

Fix through the hinge plates of hinges using screws provided into pre-drilled holes.

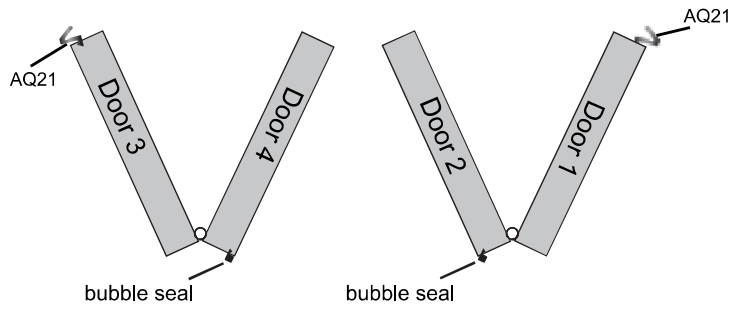


13 Fix Door 4 to Door 3 using the screws provided, into the pre-drilled holes.

Repeat the process to fix Door 2 to Door 1

Fitting the draft seals to the doors

- 14** Fit the bubble seal into the machined groove on the edge of doors 2 and 4, and the AQ21 seals into the edge of doors 1 and 3.



Adjusting the Doors

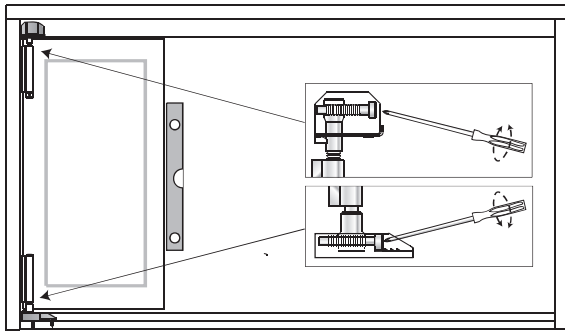


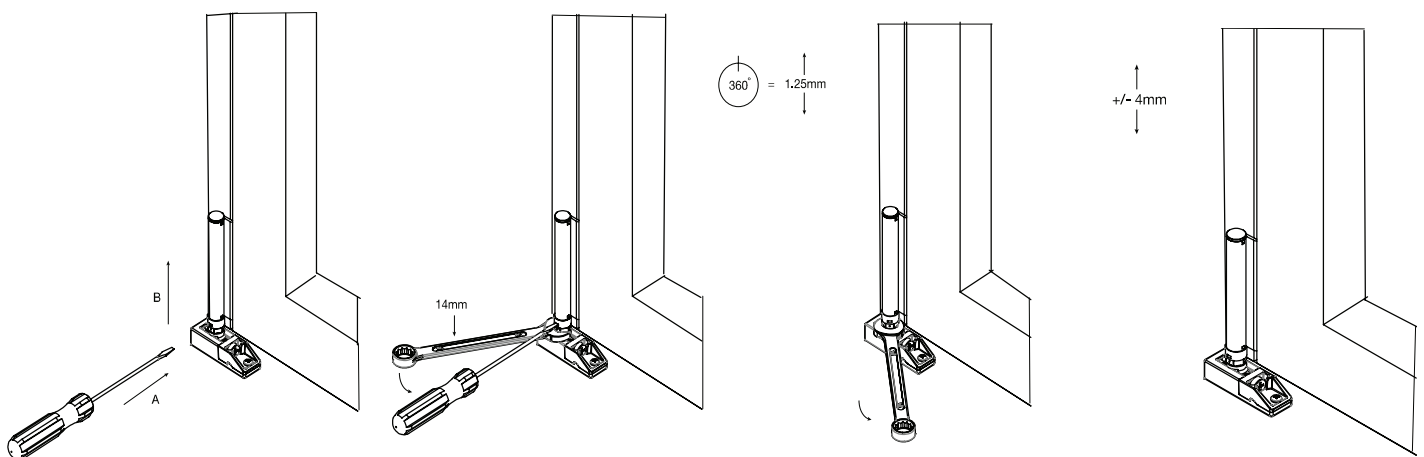
Fig b

- 15** Side to Side adjustment.
Adjust the spacing between the pivot doors 1 and 3 and the frame jamb, by turning the adjuster screws in the top and bottom pivots.

The spacing gaps should be +/- 5mm between the pivot door and the frame jamb AND 4mm at the centre between the access doors 2 and 4. Fig b

15a Up and down Height adjustment.

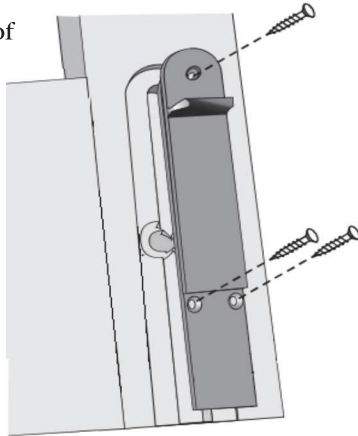
Use the tip of the small screwdriver blade provided (J) inserted into the pivot slot to push the lock pin to disengage it, at the same time using the 14mm spanner provided (K) turn the nut in one complete revolution. - Clockwise to lift the doors up and anti-clockwise to lower them. Repeat the process every time you make an up or down adjustment.



Fitting the dropbolts

16 Fit the Minuet drop bolts to the bottom of door 4 using the pre-cut position.

Fit the Minuet drop bolts to the top of doors 1, 3 and 4 using the pre-cut position.



17 Fit the drop bolt striker plates to the frame head in the pre-cut positions.



Special Note

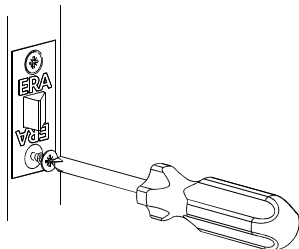
To use the bottom drop bolt it will be necessary to make a locating hole in the floor, to be covered by the striker plate. Using the bottom drop bolt provides greater rigidity when the doors are closed and this is our recommended installation method.

If however, if it is preferred, the bottom striker plate and hole are NOT drilled and fixed into the floor, leaving the bottom minuet drop bolt unused.

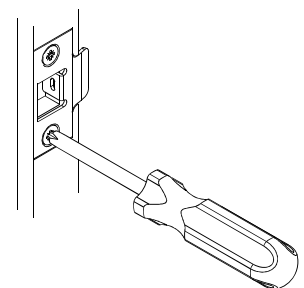
This installation will leave the floor completely clear, but the doors are less rigid when closed and during operation.

Fitting the mortice latch and keep

18 Fit the Tubular Mortice Latch into the pre-machined position in the access door (2).



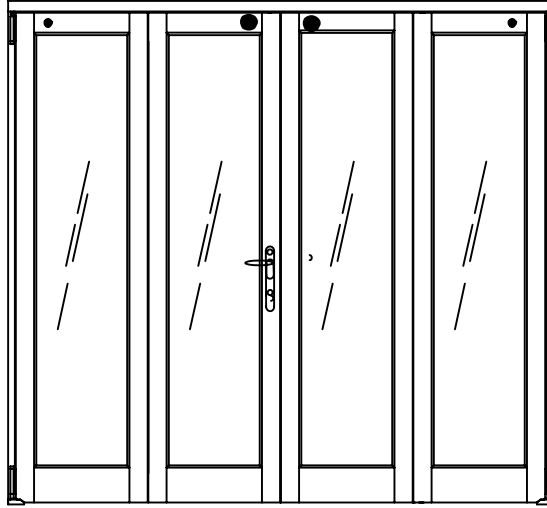
19 Fit the latch striker plate into the access door (4).



Fitting the door holders to the doors

Optional Extras

- 20** Fit the door holders to the same side which the centre doors open towards.
(opposite side to the minuet drop bolts)



- 21** Fit the long metal 'male' part of the door holder to Doors 2 and 4 ●
Fit the short metal receiver part of the door holder to Doors 1 and 3 using the screws provided ●

Fitting the Astragal

- 22** Astragal fits to Door 4 and should be fixed on the same side of the drop bolts using 3/4" pozi wood screws (L).
Fit the bubble seal into the groove in the astragal.

