

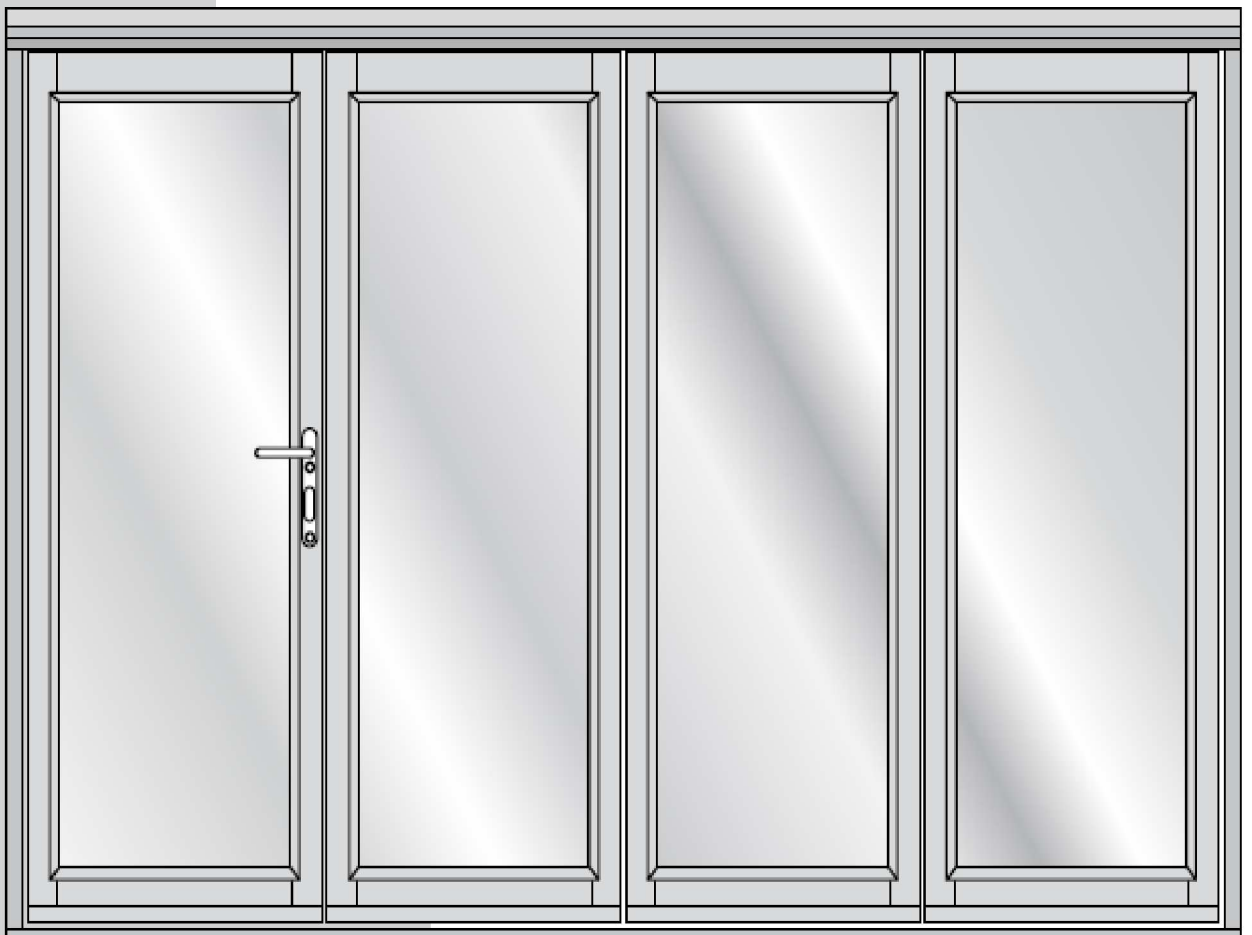
40interior

sliding folding room divider sets
With a bottom track

4 Door Set

3.0M - 2990mm W x 2074mm H

Assembly
Instructions



About your folding sliding internal room divider set

All products must be installed in accordance with accepted good trade practice (and in accordance with supplied instructions where applicable), and maintained in accordance with these procedures or else the warranty shall be void.

Important information

- We recommend that a competent tradesperson install this product.
- A single person must *never* carry out the installation, as some components are very heavy.
- The Outer-Frame Head requires fixing to the building lintel over the opening. The lintel *must* be capable of carrying the load of the door in all conditions. If in doubt consult a structural engineer.

Automatic Closures and Operators

- The hardware systems are designed for manual operation. Poorly adjusted automatic operator closers can impart significant destructive forces to tracks, bearings and stops. Such hardware used in installations is expressly excluded from warranty terms.

Care of doors and frames on site

- Please check doors, frame and cill at the time of delivery to ensure that they are acceptable and in good condition, and within 72 hours of delivery. If you find a component missing or damaged please inform us immediately. We keep replacement components of most set parts and these can be sent out to you quickly. This will save you having to re-package and return the whole set, and allows you to continue with the project. (See separate parts list for component reference numbers)
- When storing prior to installation, the doors and frames should be handled with care and stored in a dry, ventilated building. Doors and frames should be stored flat and on a level surface (not on edge or on end).
- Should you need to store the doors before installation, they must still be fully inspected and checked for damage or faults and reported within 72 hours of delivery, repacking if necessary.
- Doors should not be stored or fitted in the building until the wet trades such as plastering, painting etc. have been completed and the room is dried out.

Finishing prior to Installation

- See *Pre-finishing the wooden parts* - Very important: We do not recommend wax or oil finishing systems.

Trimming

- This internal folding sliding door set is not designed to be trimmed on site and should be fitted as supplied.

Conditions of Sale

- We shall not be held responsible for any incidental work expenses arising out of or because of any defect in our product, or bad workmanship to our product. In the event of the goods having manufacturing defects and requiring replacement, our liability will be limited to the value of the door or frame component only. These notes do not affect your statutory rights with the retailer of this product.

Maintenance

Hardware in buildings is subject to deterioration from everyday use, and also environmental attack due to atmospheric and other conditions. We require the following minimum maintenance to be followed otherwise the warranty shall be void.

Track and Bearings:

Using a spatula or similar (not your fingers), apply a small amount (typically a 1/2 teaspoon of white petroleum jelly (Vaseline) or similar lubricant to the inner lip of each side of the track. Ensure that the wheels pass through the lubricant and it is distributed evenly along the track. Put additional lubricant around bearings. Lubricant reduces wear, improves smoothness and further protects against corrosion or track and bearings. Remove all surface contaminants by wiping all visible track surfaces with a damp soft cloth and mild detergent, then wipe clean with a clean cloth. In severe environments, apply a thin film of corrosion preventative such as WD40, by wiping with a soft cloth moistened with one of these products.

Stainless steel bearings are manufactured from hardening-grade stainless steel and although this material performs considerably better than plated steels, it is susceptible to corrosion unless maintained as described above.

Hangers, Pivots and Brackets:

A light spray application of a corrosion preventative such as WD40, followed by a light wipe with a dry cloth to remove excess, is recommended to all hangers, pivots and brackets. Exposed surfaces should first be wiped with warm soapy water and a soft rag, and then rinsed clean before applying preventative.

Hinges:

Wipe down the visible surfaces with warm soapy water on a soft rag and then rinse off by wiping with a clean damp rag. Application of a thin film of light machine oil or WD40 will help to maintain the original lustre of the metal finish. Be careful not to get these compounds on the timberwork itself as may cause staining.

Drop bolts:

Spray application of a suitable lubricant such as WD40 to the sliding pin inside the bolt and to the lock cylinder is recommended. A tube attached to the nozzle will help to concentrate the spray where you want it to go. There are access holes or slots on all drop bolt products so that this can be done without removing the locks from the doors.

Frequency:

The procedures mentioned above need to be carried out as often as is necessary to prevent deterioration in the installed environment, however we recommend the following minimum frequency of application:

General environment - 6 monthly

Please be careful not to get the lubricants or other liquids above on the Timber components as may cause staining of the timber.

The properties of timber

No two trees produce identical grains or colour of wood and this adds to the beauty of a natural product. We therefore cannot guarantee that all doors and frame components will look exactly the same in grain and colour. Warping of wood is not a defect if it does not exceed 1/4 inch (6mm) in its installed position.

Maintaining the doors and frame

We suggest additional treatment and finishing may be required at least once a year or sooner if there is any indication of deterioration in the wood protective finish used.

Contents (1)

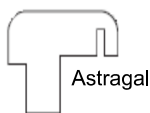
IMPORTANT: Please check the contents of the packages to ensure that all parts are present and in good condition before booking your installation

Timber parts

Door 1 - Pivot hinge door - quantity 1	{	40-1L-10S-1 40-1L-10SG-1 40-4L-10S-1 40PFW-1L-10S-1
Door 2 - Middle door - quantity 1	{	40-1L-10S-2 40-1L-10SG-2 40-4L-10S-2 40PFW-1L-10S-2
Door 3 - End door - quantity 1	{	40-1L-10S-3 40-1L-10SG-3 40-4L-10S-3 40PFW-1L-10S-3
Door 4 - Access door - quantity 1	{	40-1L-10S-4 40-1L-10SG-4 40-4L-10S-4 40PFW-1L-10S-4

3.0m (2990mm) wide - Door Size: 40mm x 728mm x 1981mm.

Top frame section (Head) Includes aluminium track - quantity 1	{	40-10S-5 40PFW-10S-5
Bottom frame section (Cill) Includes plastic track - quantity 1		
Side frame sections (Jambs) - quantity 2	}	40-10S-6 40PFW-10S-6
Timber Astragal - quantity 1		



Hardware

E223LRWDSTS
E221LRWDSTS

Top pivot - quantity 2
Top pivot fixing pack - quantity 2 packs

Bottom pivot - quantity 2
Bottom pivot fixing pack - quantity 2 packs

Half offset hinges - quantity 3
Half offset hinges
fixing pack - quantity 1 pack

Intermediate carrier - quantity 1
Intermediate
fixing pack - quantity 1 pack

Straight Hinge - Quantity 1
Straight Hinge
fixing pack - quantity 1 pack

Intermediate guide - quantity 1
Intermediate guide
fixing pack - quantity 1 pack

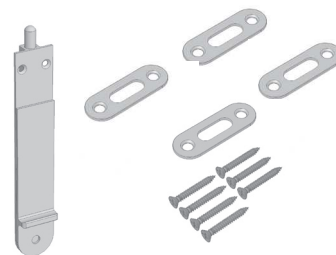
DBMI100NRX

Minuet drop bolt non keyed - quantity 4

Non-keyed drop bolt
- quantity 4 pcs





Drop Bolt Striker Plate

- quantity 4 pcs



Seals

3.0m Door Sets

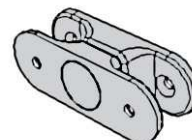
	Bubble seal R9885	2 metres x 5
	AQ21 Draft seal AQ21B2.3	2.3 metres x 4
	AQ21 Draft seal AQ21B3.5	3.5 metres x 1
	AQ109 Draft seal AQ109B2	2 metres x 1

Optional extras

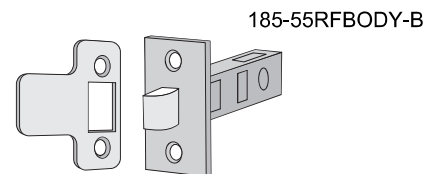
EWMP

Magnetic catches

Plastic magnetic door holders
- quantity 2 sets



Tubular mortice latch
and keep - quantity 1



189-56-RFKEEP

DELSWSSS

3/4" Pozi wood screw - quantity 9

Contents (2)

K1570911(53)

Frame and Track Installation bag - quantity 1

Hardened steel wood screws
pozi flat countersunk yellow



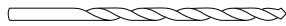
A) M4 x 60mm - quantity 12

B) M6 x 80mm - quantity 14

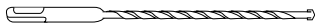
C) Hardened steel frame fixings - quantity 22



D) HDS long drill bit 6.5mm x 148mm - quantity 1



E) SDS drill bit 6.5mm x 160mm - quantity 1



F) 1/4 Hex T30 insert bit - quantity 1



G) Cover caps

Brown - quantity 10

White - quantity 10



DDAK001

8mm Allen Key - Quantity 1



Pre-finishing the wooden parts- Unfinished oak sets only

After you have checked the parts list to ensure you have all the parts ready and all components are in good condition (replacement parts are available) please carry out the pre-finishing procedure specified.

Please do not proceed with installation or assembly before applying a high quality decorative wood coating like clear internal varnish or woodstain or paint to all the wooden parts as recommended below. It will be difficult for you to apply the wood coating correctly once the product is assembled and installed. Failure to totally finish the doors and frames will expose them to the ambient room conditions and will invalidate the guarantee.

- Apply at least 3 coats of the decorative protective wood coating to all faces, edges and the top and bottom of each door and the oak door frames, following the wood finish or paint company's recommendations.
- To enhance the 'Natural Oak' appearance use a clear or natural internal varnish or pu coating. If you require a different wood finish choose a wood stain with a varnish in it or, if using stain only, you need to apply 2 top coats of clear varnish on top of the stain to adequately protect the doors and frames.
- If any scratches occur during installation please apply another coating.
- We do not recommend wax or oil finishing systems.

Very Important: Do not use steel wool or allow steel or iron fragments to come into contact with the untreated oak timber as this will cause oxidisation resulting in black stains.

Deciding the brickwork or stud wall opening size and preparing the site

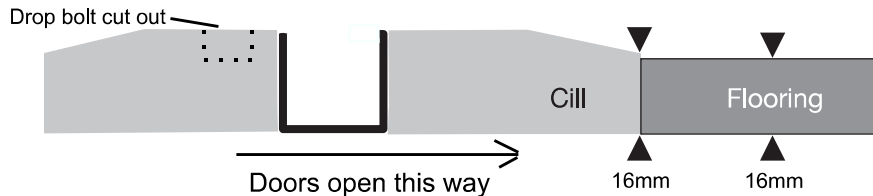
VERY IMPORTANT - Brickwork or stud wall opening size

Before preparing the opening in the brickwork or stud wall you must first decide what flooring will be used and its thickness.

Option 1

Flooring thickness of 16mm or less

The special frame cill supplied with the set is suitable for any flooring (tiles, carpet and underlay, wood flooring) of less than 16mm thickness as shown. Flooring can be fitted up to the 16mm edge for a smoother floorline.



For flooring less than 16mm thickness, assembled outer frame sizes are :

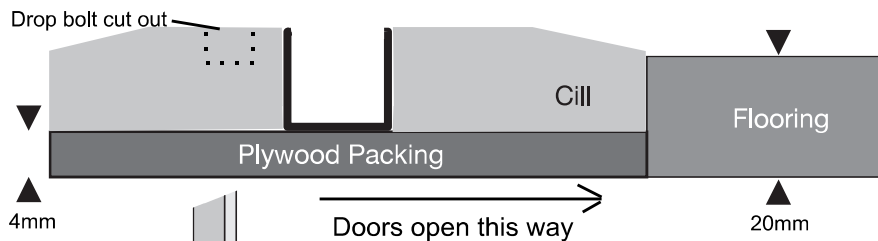
Assembled Frame Size	Brick / Stud wall opening
3.0m 2990mm Wide x 2074mm High	3.0m 3000mm Wide x 2084mm High

Option 2

Flooring with thickness more than 16mm

If your flooring is thicker than 16mm you need to raise the height of the frame by using plywood packing underneath the full length of the frame cill.

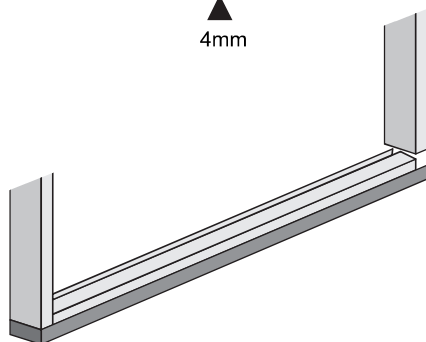
Example: If using 20mm thick flooring, you will need a 4mm plywood packer piece.



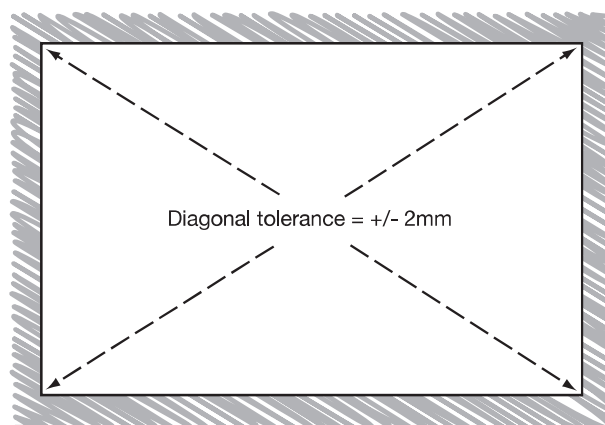
The assembled outer frame height will be 2074mm **plus** the height of the packing under the frame cill.

For flooring with thickness more than 16mm, plywood packer should be the full width of the bottom cill and should extend under the frame jambs.

Brickwork opening width = Assembled frame width + 10mm



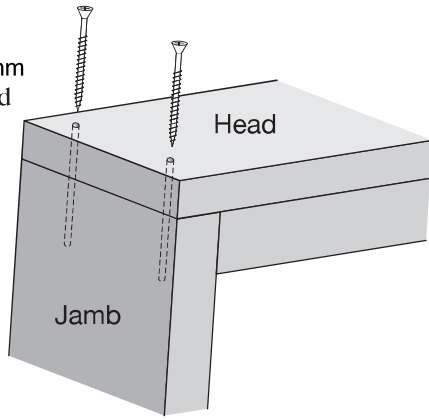
OPTION 1
Brickwork opening height
= Frame height + 10mm



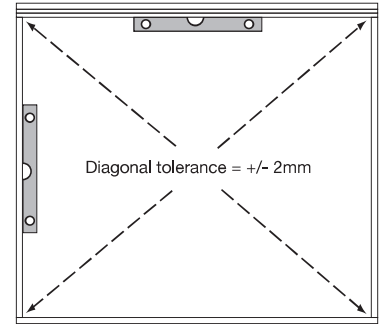
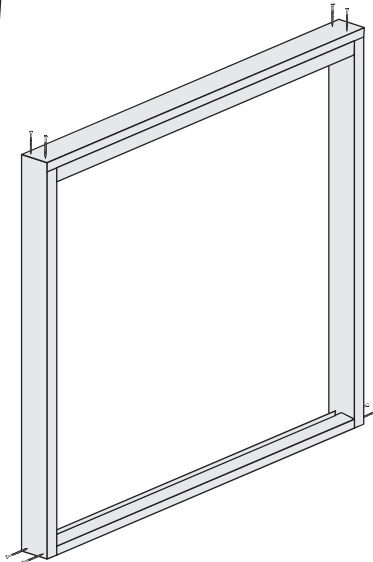
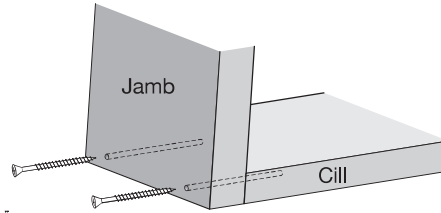
OPTION 2
Brickwork opening height
= Frame height + Under cill packer thickness + 10mm

Assembling the frame

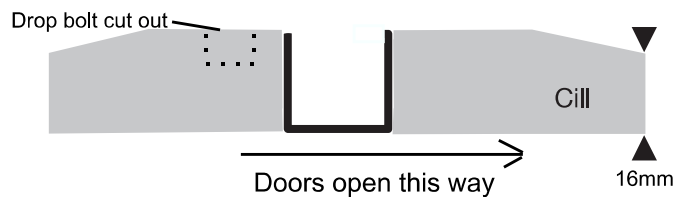
1 Assemble the jambs to the frame head with the M4 x 60mm Pozi (A) screws provided through the pre-drilled holes.



2 Assemble the cill between the jambs using the M4 x 60mm Pozi screws (A) ensuring the opening direction is away from the door stops, not the same side as the door stops

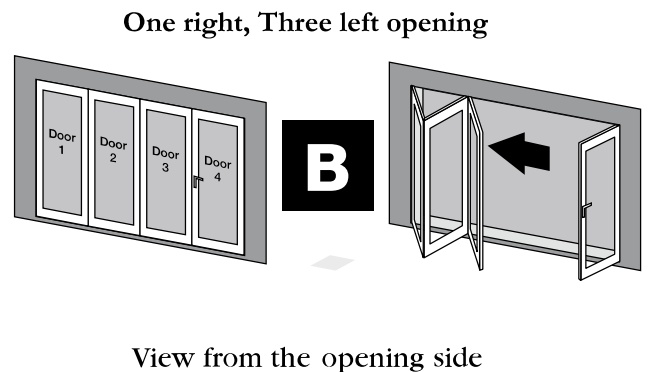
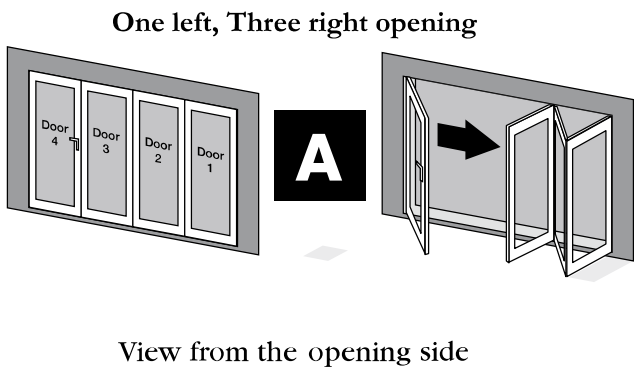


Very Important. Carefully check frame is tightly fixed together and is square. Diagonals of frame must be equal +/- 2mm. *Do not proceed with the installation if the frame is not square.*



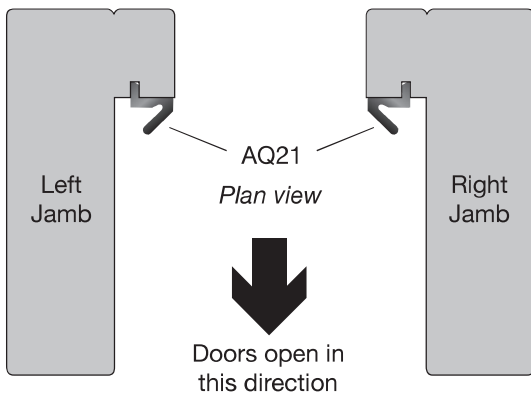
Opening options

3 Choose the opening direction before installing the frame. The door set is reversible, with One left, Three right (1L3R) or One right, Three left (1R3L) opening options. Before fixing the frame into the opening or fitting the doors, choose the direction you wish the doors to open. This will determine which instructions, **A** or **B**, to follow and which door to fit first.



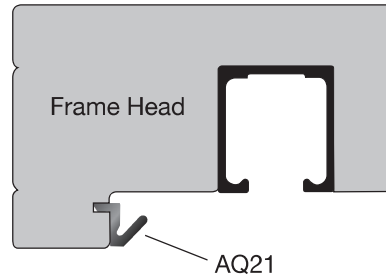
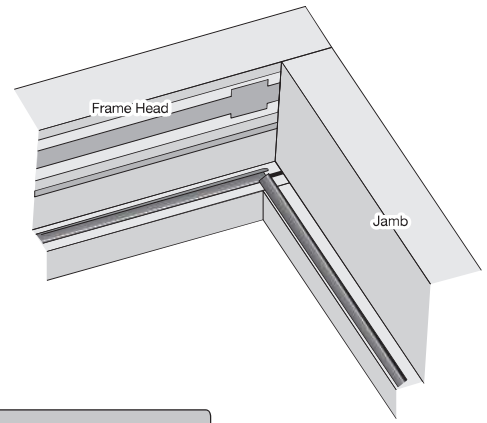
Follow the appropriate instructions for your choice of opening.
Follow **A** for Right opening. Follow **B** for Left opening.

4 Fit the AQ21 draft seal into the frame jambs



Please note well -
The frame should be installed into the opening with the thinner frame ends facing the same direction as you want the doors to open.

5 Fit the AQ21 draft seal into the frame head



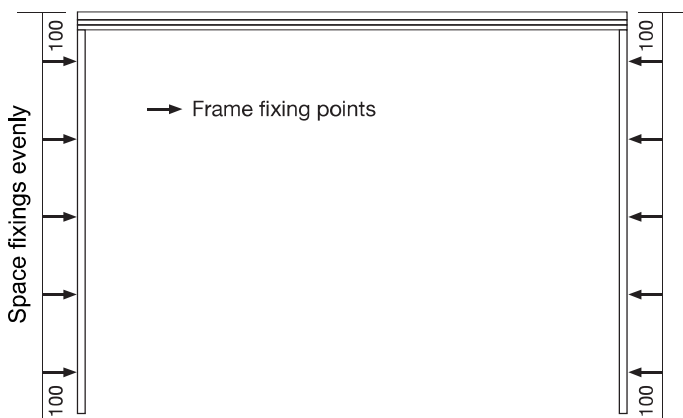
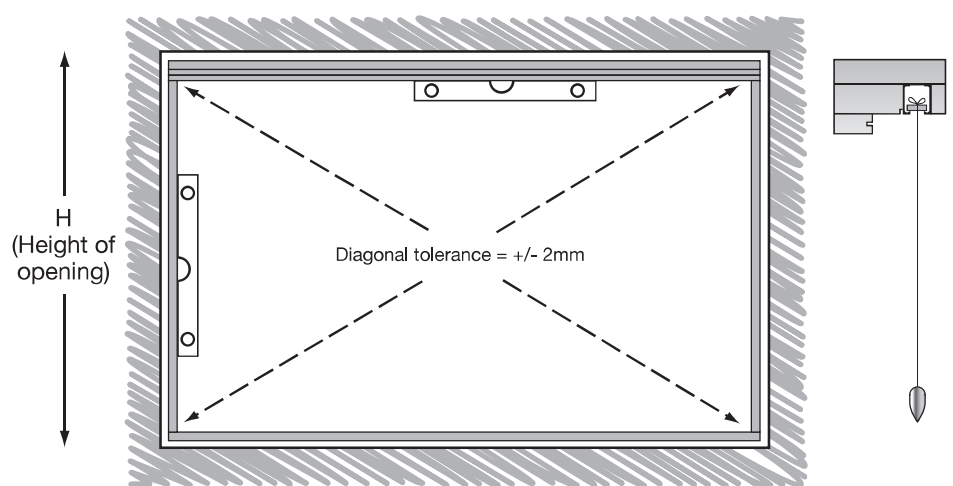
Installing the assembled frame

Proceed to install the assembled frame. *It is critical that the frame is fitted square and level* with tolerances as follows. Ensure the frame is installed straight and square, if necessary use shims (packers) between the frame and the brick opening.

The height (H) must be the same across the whole width of the opening, +/- 2mm.

The diagonals must be the same, +/- 2mm.

If necessary fix the cill to the floor by drilling holes in the aluminium bottom channel and using countersunk screws.



6 Secure both Jambs into the brick work/stud wall opening with 5 fixings - evenly spaced - using the *direct frame fixings* (C) provided. For brick work and screws (B) for a stud wall.

IMPORTANT TIP.

Drill the frame jamb fixings behind where the doors are, so the holes can only be seen when the doors are open.

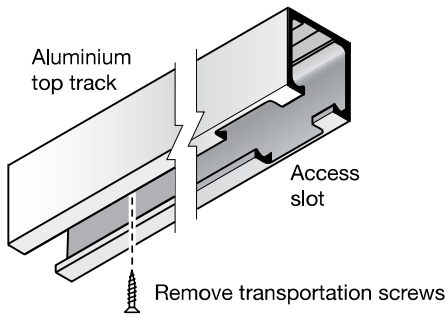
For brick work

Use the *direct frame fixings* (C) as follows:

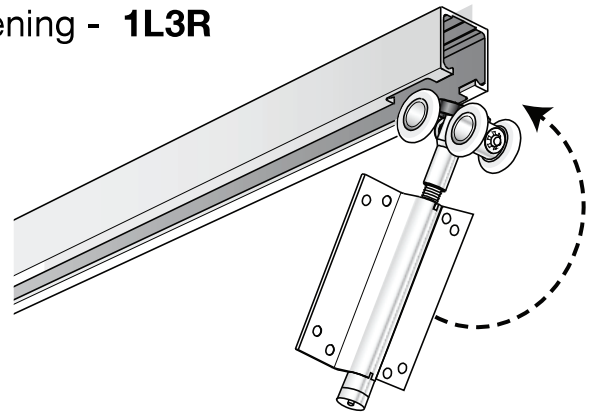
- 1) Use the 6.5mm x 148mm (D) HSS drill (supplied) to drill holes in frame jambs, aluminium track and steel.
- 2) Use the 6.5mm x 160mm (E) SDS masonry drill (supplied) to drill into brickwork.
- 3) Use the Torx T30 bit (F) (supplied) to screw in the *direct frame fixings* (C).
- 4) Cover the screw heads using the white or oak cover caps (G)

Assembling the top track

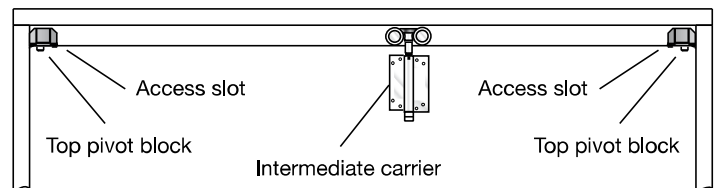
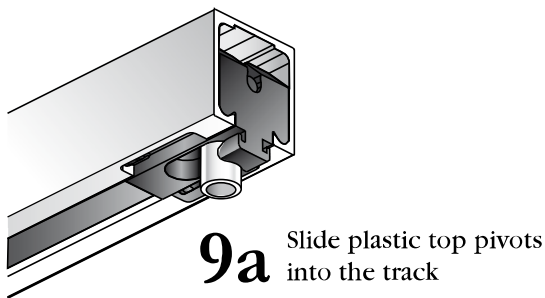
A Instructions for One left, Three right opening - 1L3R



7a Remove the two transportation screws to release the aluminium top track from the frame head.



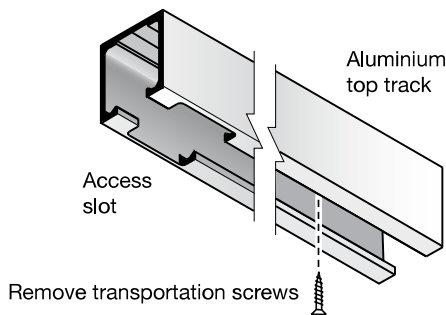
8a Slide the intermediate carrier wheels into the track.



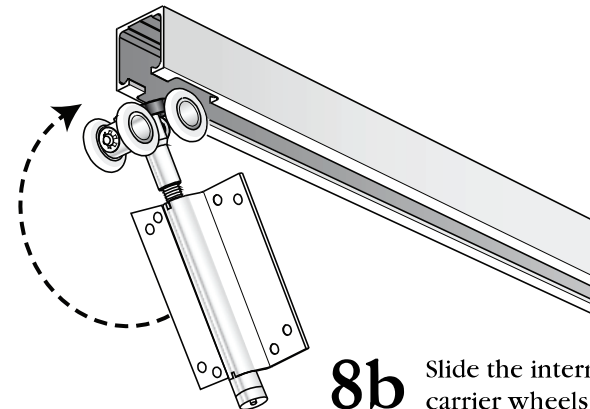
10a Re-secure the top track to the frame head using the two transportation screws **only** at this stage. **Very Important - Place the side of the track with three holes close together on the right side.**

Assembling the top track

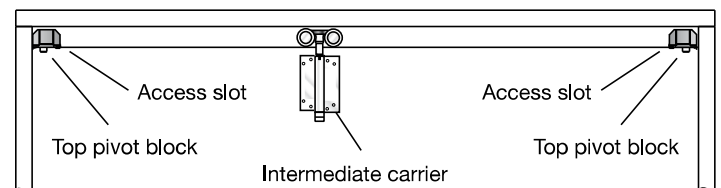
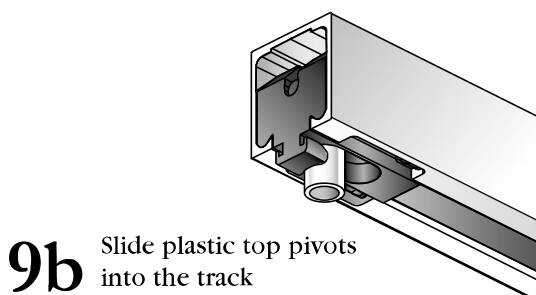
B Instructions for Three left, One right opening - 1R3L



7b Remove the two transportation screws to release the aluminium top track from the frame head.

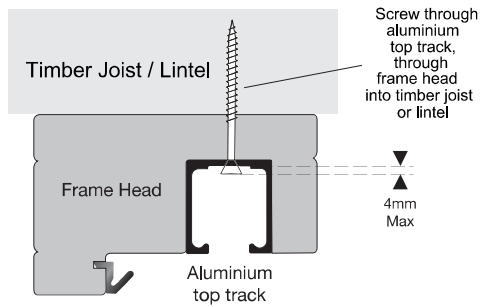


8b Slide the intermediate carrier wheels into the track.



10b Re-secure the top track to the frame head using the two transportation screws **only** at this stage. **Very Important - Place the side of the track with three holes close together on the left side.**

Assembling the top track and top and bottom pivots



11 The aluminium top track, which is temporarily held in place with transit screws, has been pre-drilled for fixing points into the lintel or timber joist.

The aluminium track must be securely fixed, through the head of the frame, into the timber joist using the woodscrews provided (B) or lintel using the frame fixings (C).

1) Locate the pre-drilled holes in the aluminium top track

For fixing to a lintel

2) Use the 6.5mm x 148mm (D) HSS drill (supplied) to drill through pre-drilled holes, through timber frame head and into the lintel, use the frame fixings (C) to screw through the aluminium top track, frame head and into the lintel.

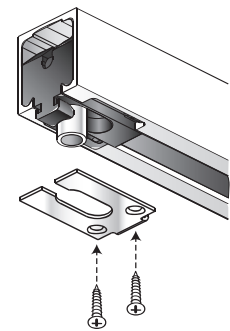
For fixing to a timber joist

3) Use the M6 x 80mm (B) screws provided to screw through the aluminium top track and frame head into the timber joist.

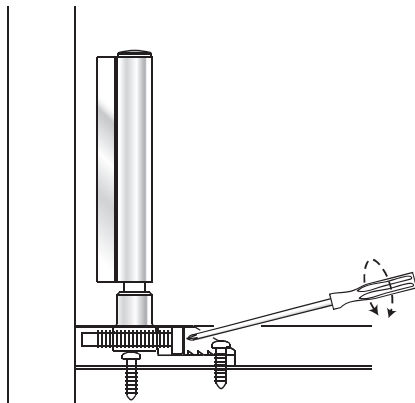
12 Assemble top pivot block.

Slide and click cover plate onto the pivot block. Screw through cover plate into rear of access slot.

Fix 1 pivot block at each end of the top track.



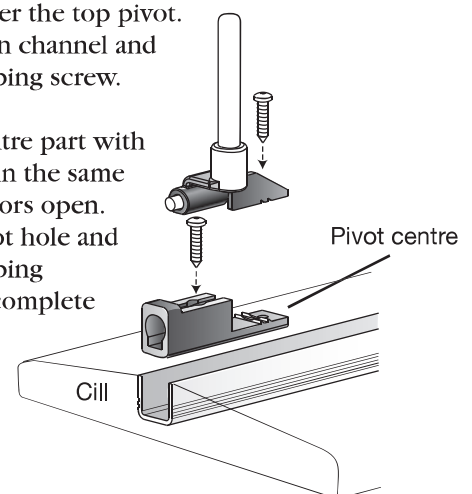
13 Remove centre part of bottom pivot



14 Insert the pivot base into the frame cill, tight against the frame jamb, under the top pivot. Drill pilot hole in channel and fix with self-tapping screw.

Re-assemble centre part with pivot to *outside* in the same direction the doors open. Drill second pilot hole and fix with self-tapping screw through complete unit.

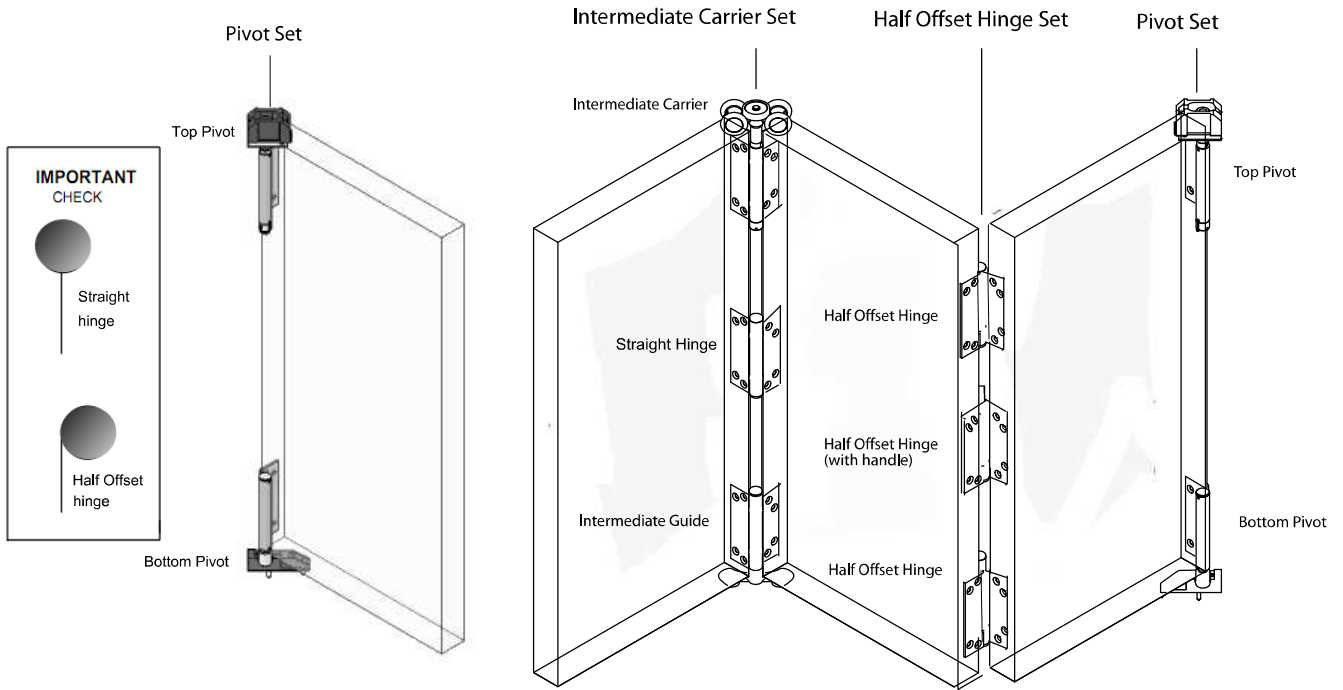
Fix 1 pivot base at each end of the frame cill.



Overview of door and hardware arrangement

15a

Choice **A** for One left, Three right opening - **1L3R**

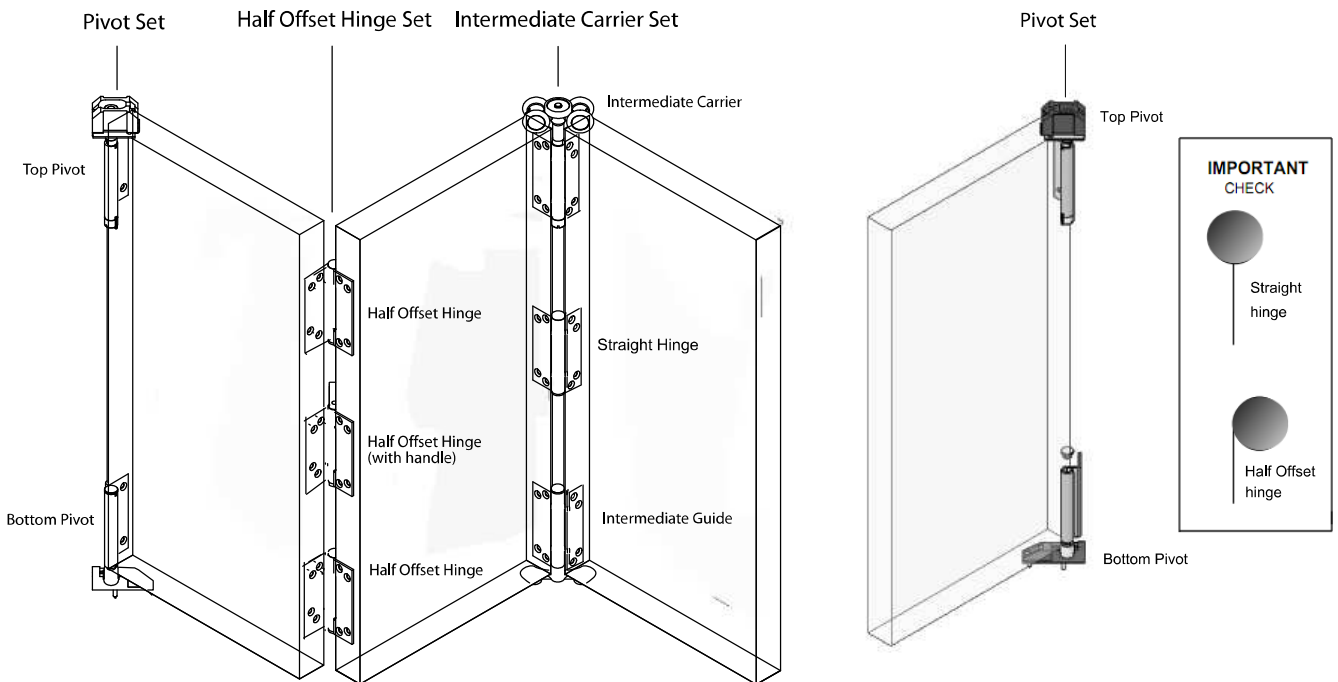


1L3R Assembly Details

Overview of door and hardware arrangement

15b

Choice **B** for One right, Three left opening - **1R3L**

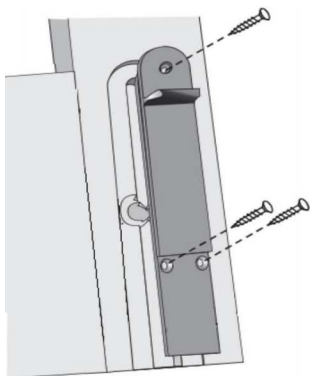


1R3L Assembly Details

Fitting the dropbolts

16 Fit the Minuet drop bolts to the bottom of doors 2 and 3 using the pre-cut position.

Fit the Minuet drop bolts to the top of doors 2 and 3 using the pre-cut position.



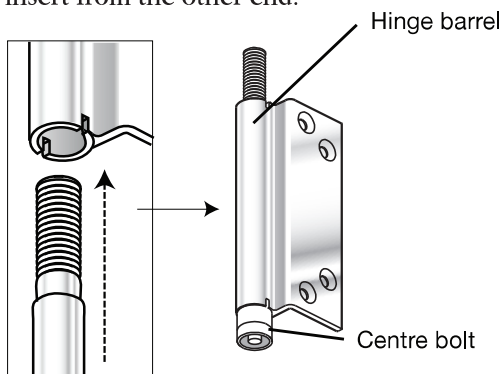
17 Fit the drop bolt striker plates to the frame head and cill in the pre-cut position.



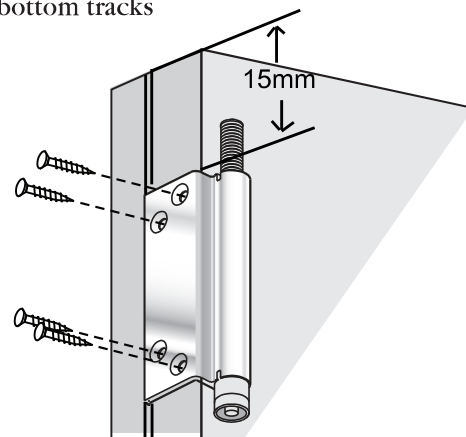
Fitting the pivot door (door 1)

Before fitting door 1 thoroughly clean the top and bottom tracks

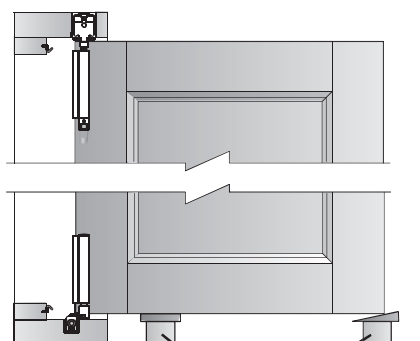
18 The top pivot default is for left opening. For right opening, carefully remove centre bolt from hinge barrel then re-insert from the other end.



19 Fix the top and bottom pivot hinges to door 1. Fix the pivot hinges 15mm from the top and bottom of the doors to the outer edge of the hinge plate. Drill pilot holes and use the screws provided to secure the pivot hinges into the rebate on the edge of the door.



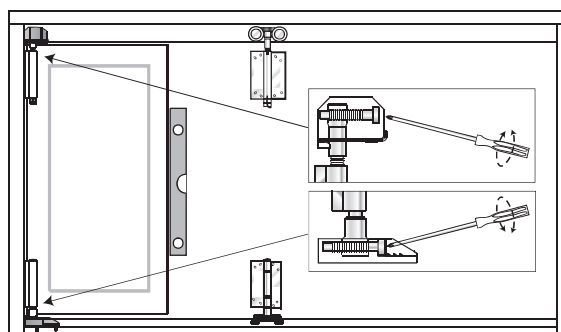
20 Lift door onto bottom pivot. Support door then screw top pivot centre bolt into pivot block until door swings freely.



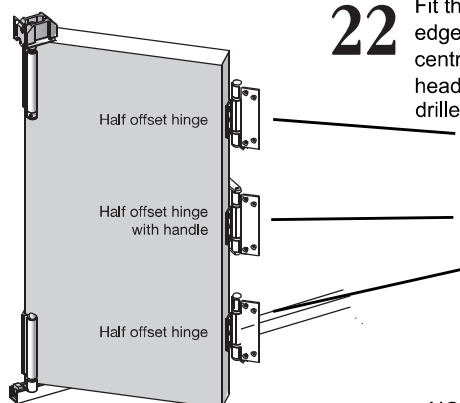
Temporary supports

Note:
Screwing top pivot bolt in and out adjusts height.

21 Adjust alignment of pivot door as shown. Leave a 7mm gap between the door edge and the frame jamb.



22 Fit the half offset hinges to the inside edge of door 1. Fix through small centre part of hinges using the Torx head screws provided in the pre-drilled holes.



IMPORTANT- Check Half offset hinge are on the correct door.

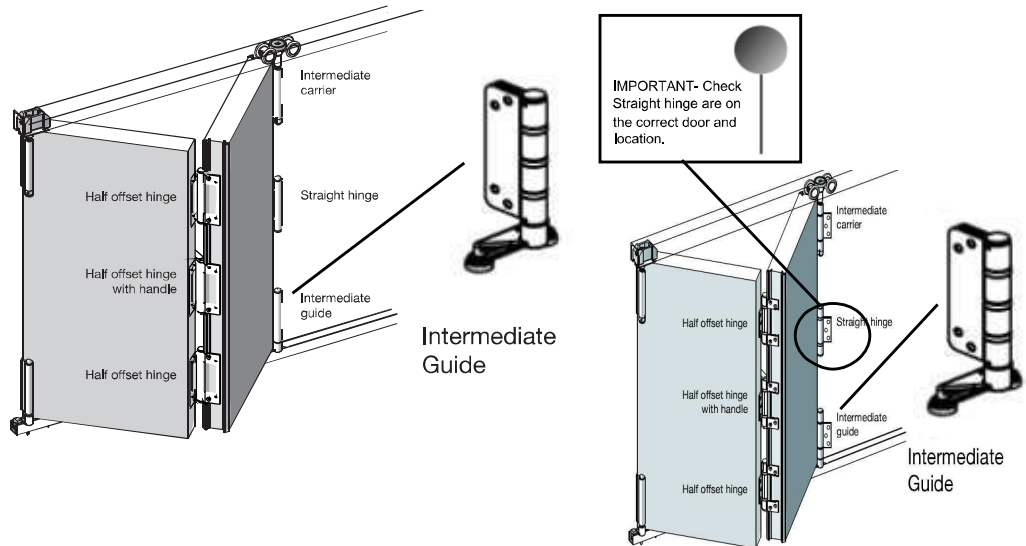
NOTE: Hinge barrels and centre hinge handle to inside.

Fitting door 2

23 Lift door 2 and locate intermediate guide in bottom channel. Support door on blocks then screw top carrier bolt into top wheel assembly.

Finally fix door 1 and 2 together using the half offset hinges.

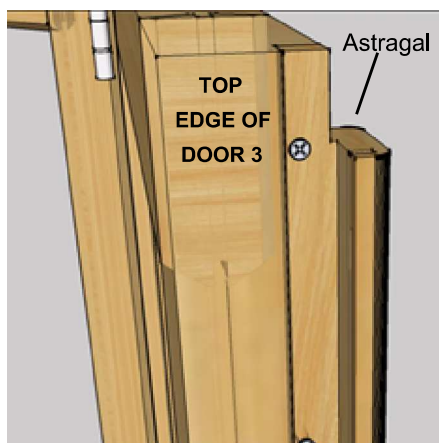
Note: Handle to inside



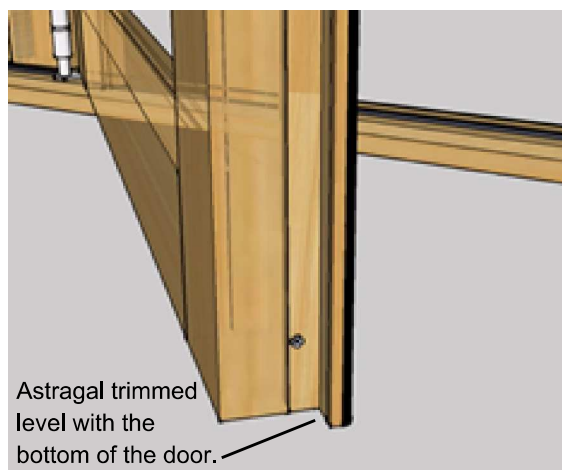
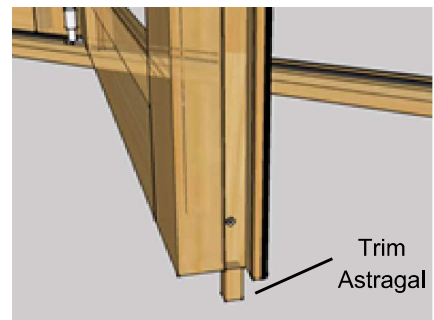
Fitting door 3

24 (i) Before attaching door 3 to door 2, the Astragal should be fitted to the edge of Door 3. The rebated part of the Astragal should be fitted to the top of door 3 level with the top of the door.

(ii) Install into the machined position and secure with the 3/4" Pozi wood screws provided.

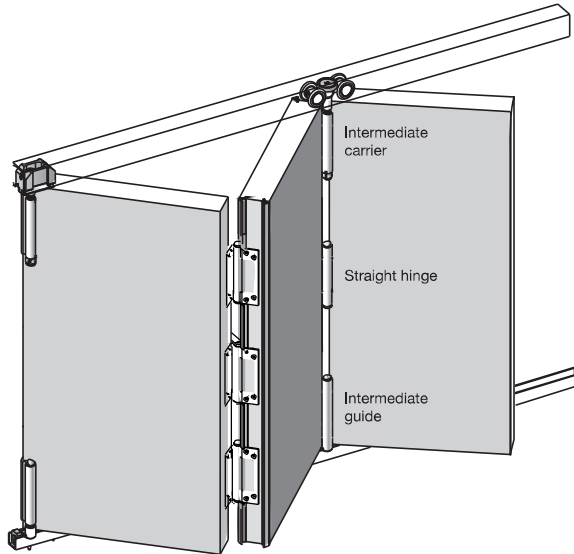


(iii) The part of the Astragal protruding at the bottom of the door, should be trimmed off level with the bottom of the door, using a fine toothed saw.



Fitting door 3 (continued)

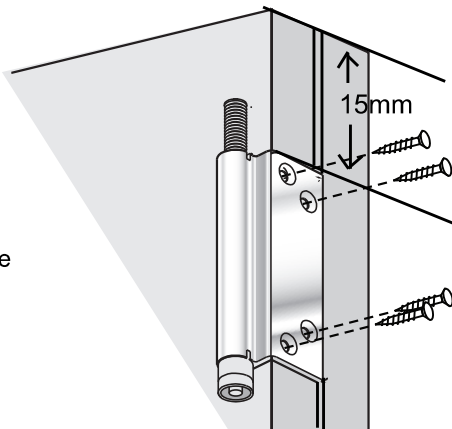
(iv) Now attach door 3 to the Intermediate Carrier and Intermediate Guide using the pre-drilled holes as a guide. Use the Straight Hinge in the central position.



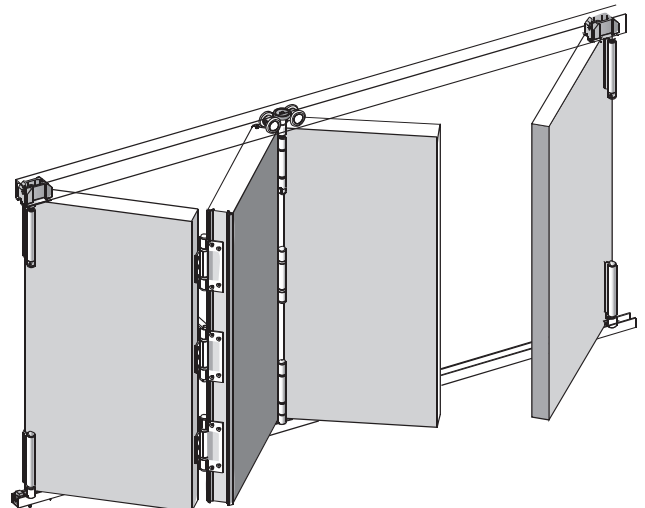
Fitting the access door (door 4)

Before fitting door 4 thoroughly clean the top and bottom tracks

25 Fix the top and bottom pivot hinges to door 1. Fix the pivot hinges 15mm from the top and bottom of the doors to the outer edge of the hinge plate. Drill pilot holes and use the screws provided to secure the pivot hinges into the rebate on the edge of the door.



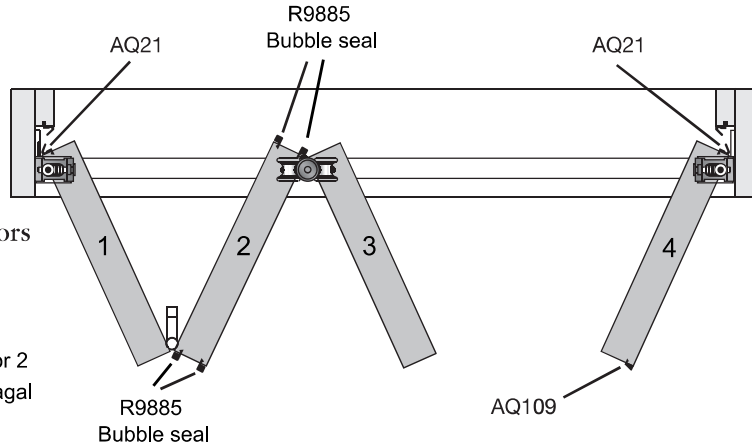
26 Attach door 4 to pivot base and top pivot block



Fitting the draft seals to the doors

27 Fit draft seals to doors as follows:

- 1 strip type AQ21 to door 1
- 4 strips type Bubble seal to door 2
- 1 strip type Bubble seal to Astragal
- 1 strip type AQ109 to door 4
- 1 strip type AQ21 to door 4



AQ21

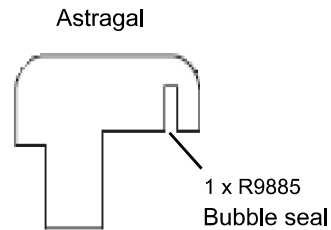


AQ109



R9885

Bubble seal

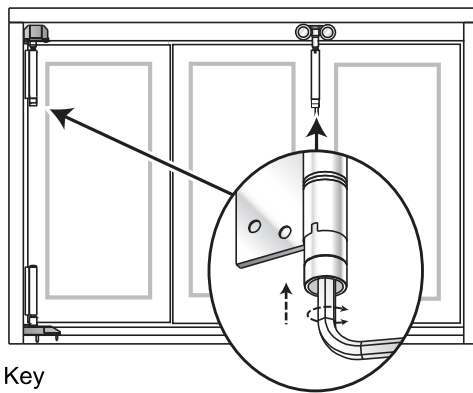


Astragal

1 x R9885
Bubble seal

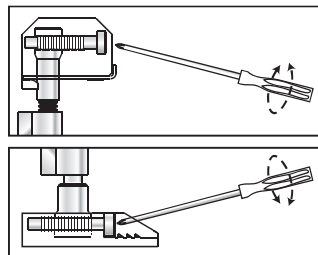
Adjusting the operation of the doors

28 Raise or lower the height of the doors by adjusting the top pivot and intermediate carrier.

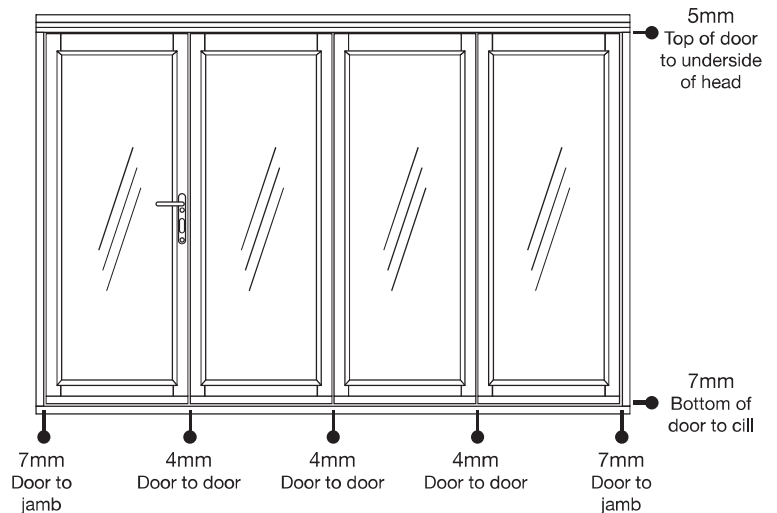


Insert the Allen Key provided then turn clockwise to raise and anti clockwise to lower the doors.

29 Adjust the top and bottom pivots to move the doors left or right.



Final adjustment, correct spacing



5mm
Top of door
to underside
of head

7mm
Bottom of
door to cill

7mm
Door to
jamb

4mm
Door to door

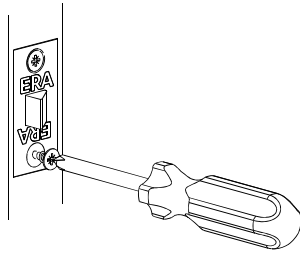
4mm
Door to door

4mm
Door to door

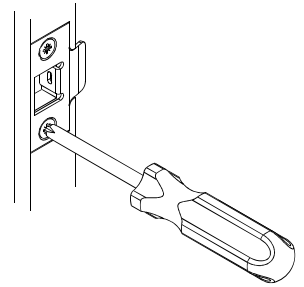
7mm
Door to
jamb

Fitting the mortice latch and keep

30 Fit the Tubular Mortice Latch into the pre-machined position in the access door (4) using the 3/4 Pozi wood screws provided.



31 Fit the latch striker plate into the door next to the access door (3) using the 3/4 Pozi wood screws provided.

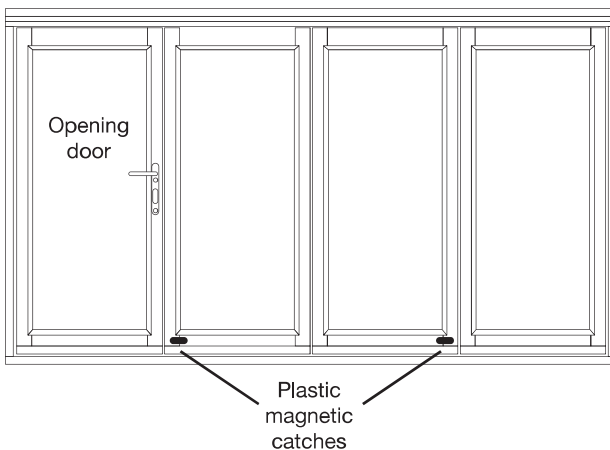


Fitting the magnetic catches to the doors

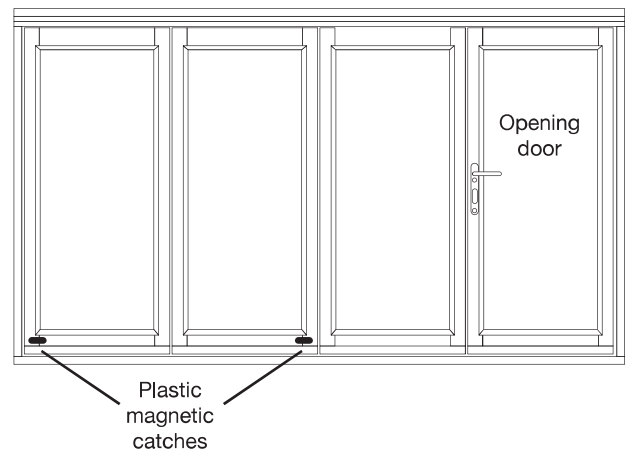
OPTIONAL EXTRAS

32 Fit the magnetic catches in the positions shown using the fixings provided.

From folding side, looking in



From non-folding side, looking out



Sequence for closing the doors

33 When closing the door set, first close doors 1 and 2, securing them with the dropbolts. Then close and lock doors 3 and 4.

