

Product Overview

Supreme

TRIPLE SLIDING DOOR

Bring in more natural light and enhance the style of your home with the Supreme inline sliding doors.

These doors feature slim 47mm sightlines and ultra-smooth sliding rails for effortless operation. They are available in three popular colours (grey, black, and white) and further options to complete any home improvement project.



(Detailed product diagrams overleaf)

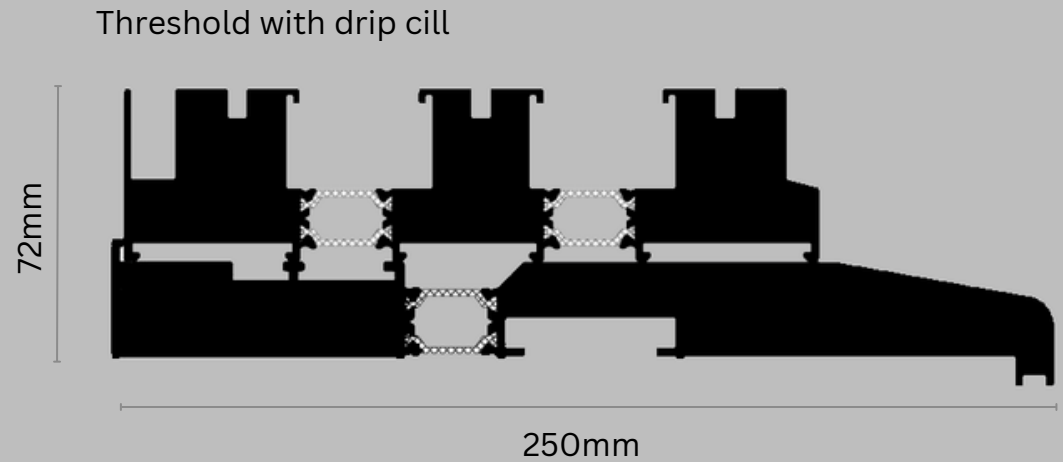
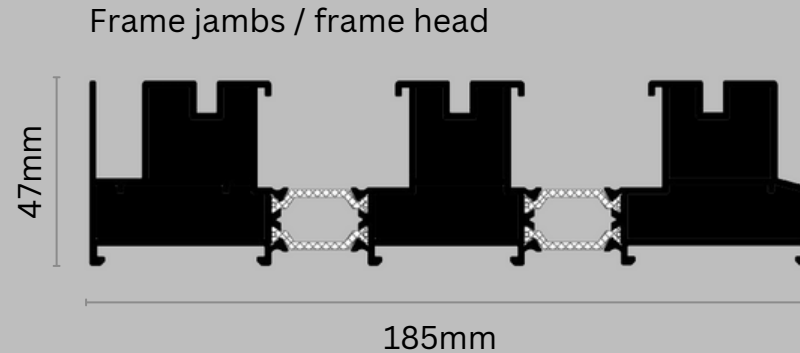
vufold.co.uk

VUFOLD[®]
The difference is in the detail

Supreme

TRIPLE SLIDING DOOR

TECH SPEC	DOUBLE GLAZED
Frame depth	185mm
Typical sightline	47mm
Profile	Square
Maximum panel width	2.5m
Maximum panel height	3.0m
Maximum panel weight	280kg
Energy rating	C
Air permeability	Class 3
Resistance to wind load	Class C5
Water tightness	Class 7A



For more information:

01625 44 28 99 | sales@vufold.co.uk | vufold.co.uk

Supreme

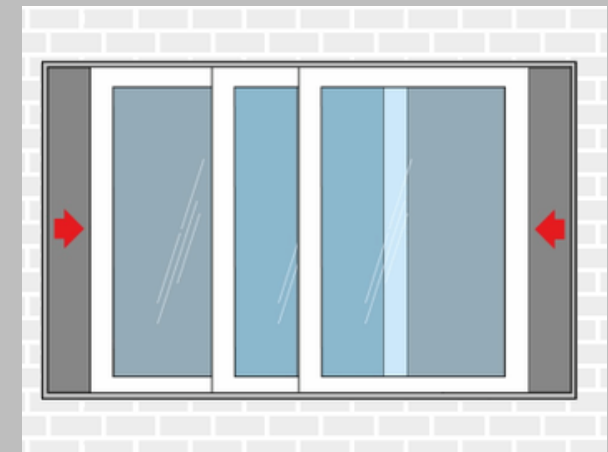
TRIPLE SLIDING DOOR

STANDARD SIZES & CONFIGURATIONS

SIZE	VISIBLE GLASS*	OUTER FRAME	BRICKWORK	WEIGHT
3.0m	889mm	2990m x 2090mm	3.0m x 2.1m	202kg
3.6m	1089mm	3590m x 2090mm	3.6m x 2.1m	242kg
4.0m	1222mm	3990m x 2090mm	4.0m x 2.1m	269kg
4.5m	1389mm	4490m x 2090mm	4.5m x 2.1m	300kg
5.0m	1556mm	4990m x 2090mm	5.0m x 2.1m	337kg

(Bespoke sizes and configurations available upon request)

* Visible glass dimensions shown are per door leaf



Standard configuration - triple opening

For more information:

01625 44 28 99 | sales@vufold.co.uk | vufold.co.uk