



CHILD SAFE
PRODUCT

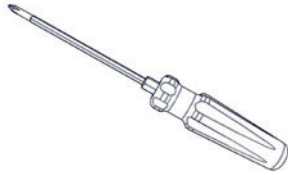
VUFOLD®

**Fitting Instructions
Screwfit Blinds**

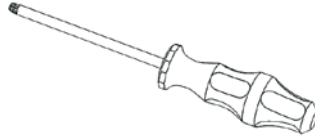
INSTALLATION INSTRUCTIONS Screw Fit

What you will need :

Supplied:



Philips
Screwdriver



T15 Torx
Screwdriver



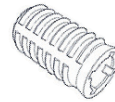
Drill bits -
2.5mm, 5.9mm



Installation
Tool



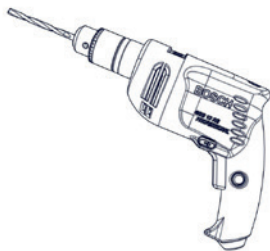
Screws*



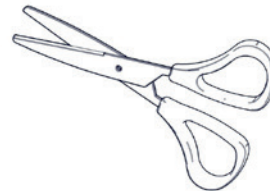
Brass
Bush*

**Please be aware, extra screws and brass brushes may be supplied.*

Not Supplied:

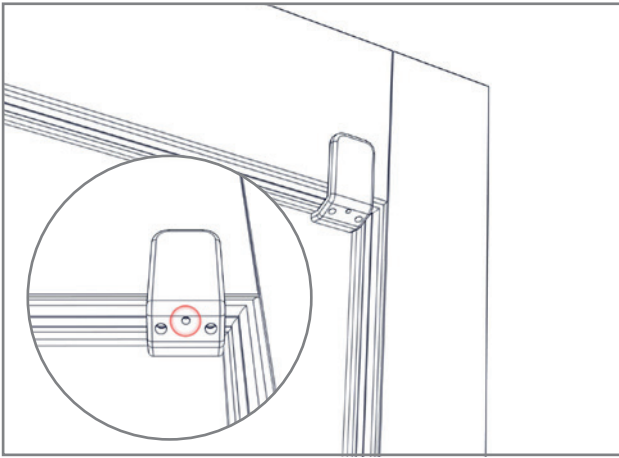


Power Drill

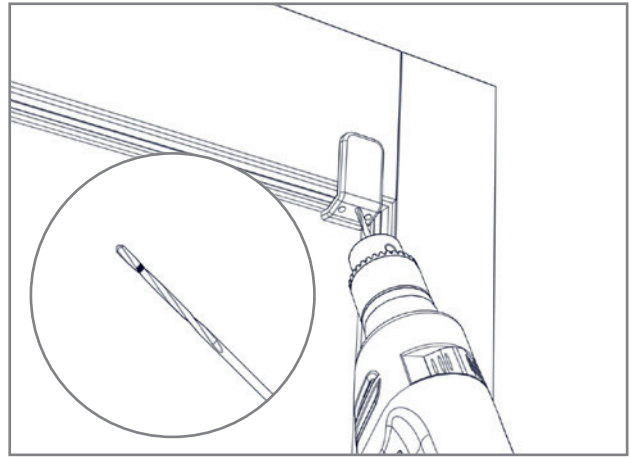


Scissors

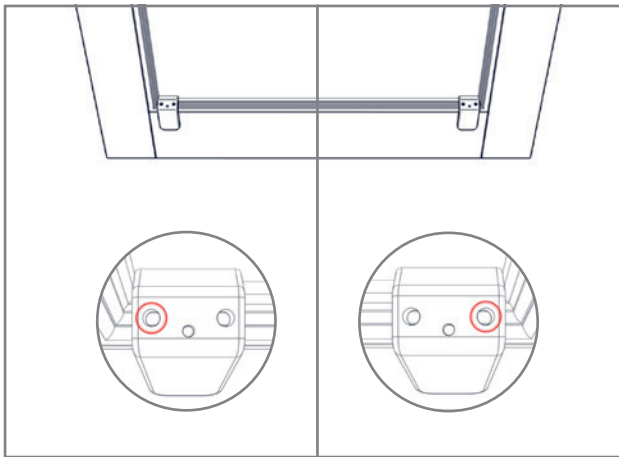
INSTALLATION STEPS Screw Fit



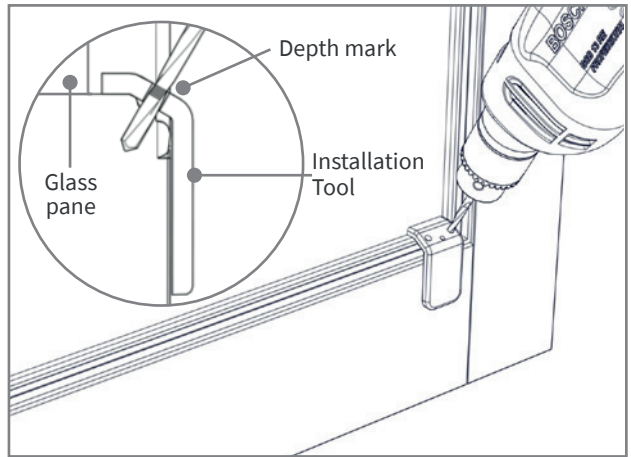
1. Place the installation tool into the top right hand corner of the window. Ensure the tool sits flat against the frame.



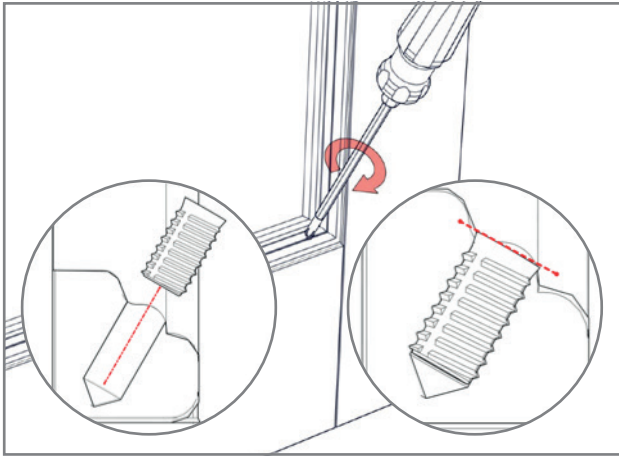
2. Using a 2.5mm drill bit, drill into the frame at 60° using the centre hole of the tool as a guide. Drill till the mark on the drill bit reaches the edge of the tool to determine drilling depth (10mm). Repeat this process on the top left corner.



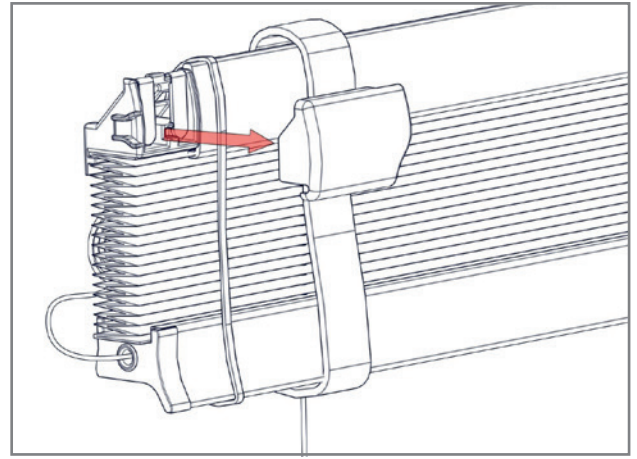
3. Turn the installation tool and place into the bottom corners. Use the right hole for the bottom right corner and the left hole for the bottom left corner.



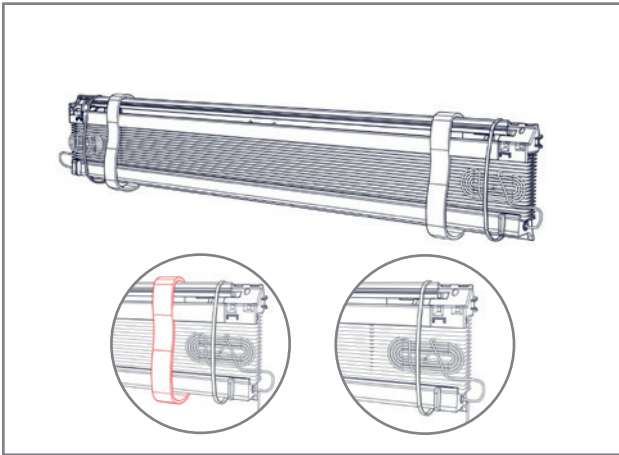
4. Using the 5.9mm drill bit, drill the frame at 60° through the corresponding hole stated in the previous step. Drill till the mark on the drill bit reaches the edge of the tool to determine drilling depth (10mm). Repeat for the other bottom corner.



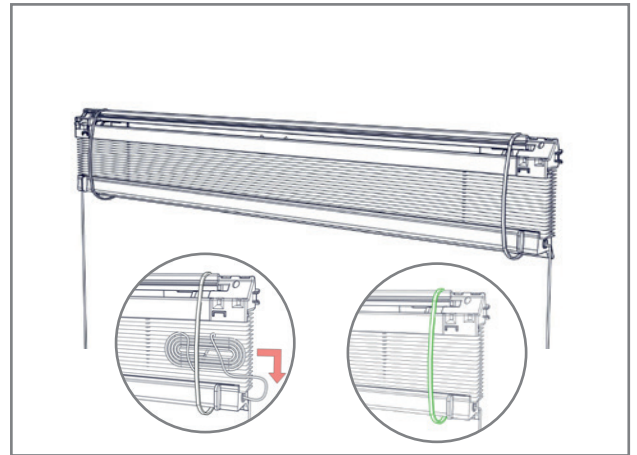
5. Using the supplied torx screwdriver, fully engage with brass bush and screw into the 5.9mm pilot hole on the bottom corner of the frame until flush. Ensure the brass bush is screwed in alignment to the pilot hole. Repeat for the other bottom corner.



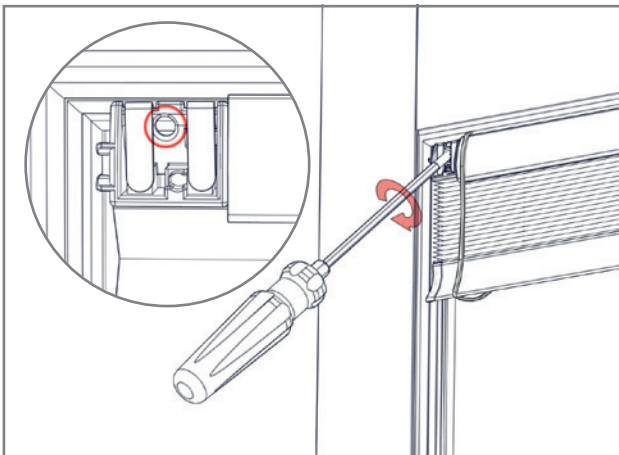
6. Remove the endcap covers from the headrail by pulling them off.



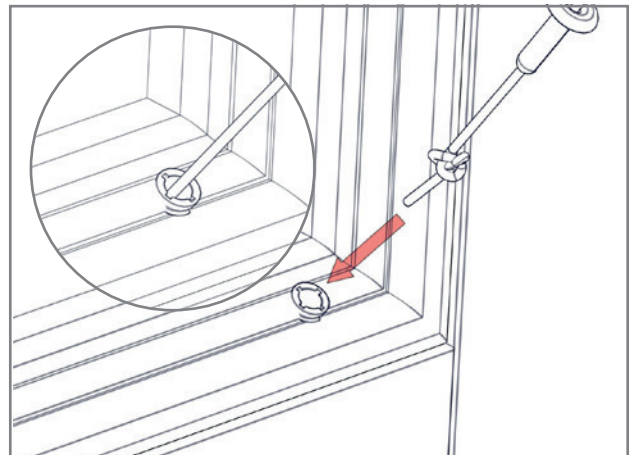
7. Remove the Velcro straps that wrap around the blind. Do not remove the elastic bands.



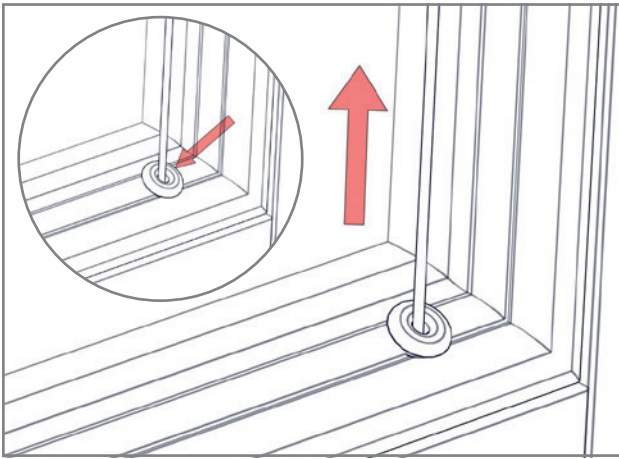
8. Remove the cords from the elastic band and allow to hang from the blind. Do not remove elastic bands from the blind.



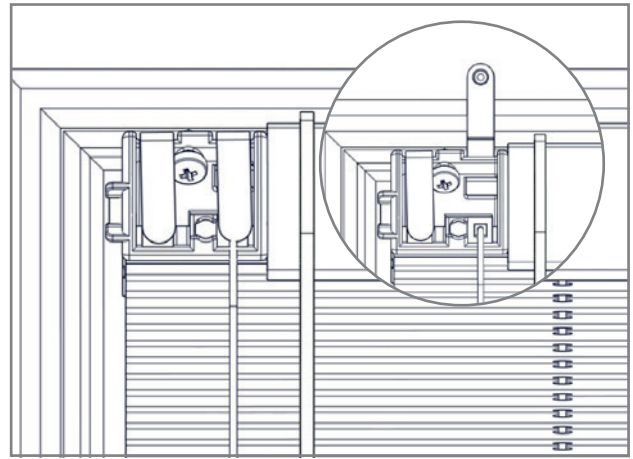
9. Line the blind up with the 2.5mm pilot holes in the top corners of the frame. Using the screws provided, screw the blind to the bead of the frame. Repeat on the other side.



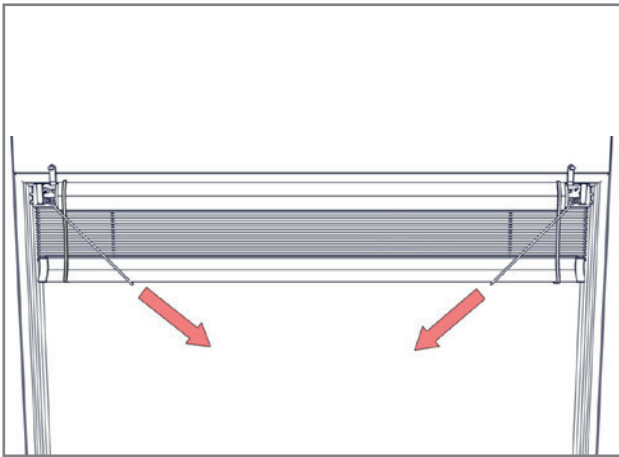
10. Insert the knot on the loose cord through the brass bush on the bottom corners of the frame. Repeat for other side.



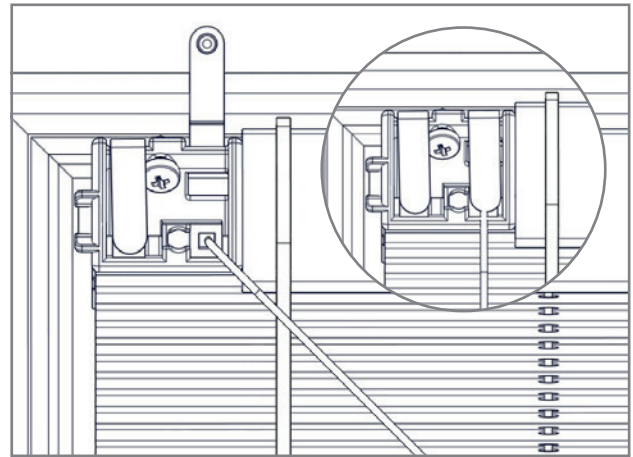
11. Push the bead grommet until it is located fully. Hold the grommet against the frame and gently pull the cord away from the grommet. The cords should now be secured into the frame.



12. To tension the blind, open the inner gate from the headrail endcap. Repeat on the other side.

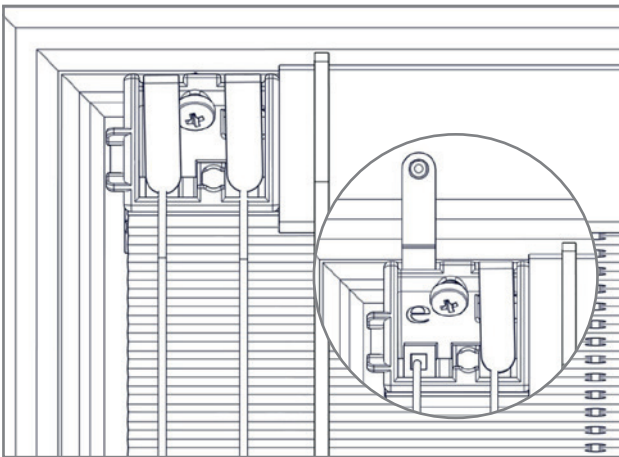


13. Slowly pull the cords at equal amounts centrally until you feel resistance on both cords.



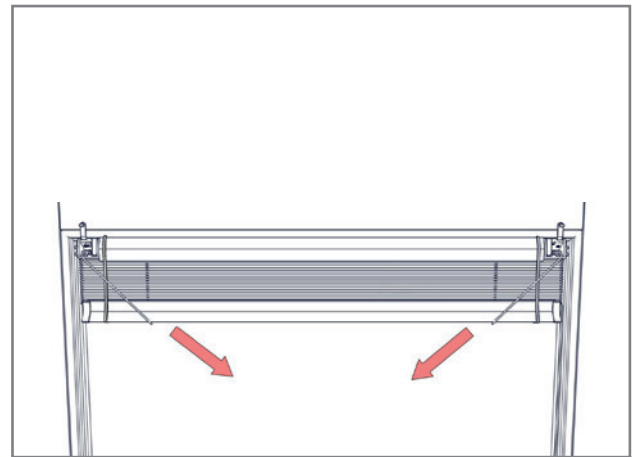
14. Whilst keeping the cords resistance, close the gate to secure the cord. Repeat this with the gate on the other corner of the blind.

If your blind has a cord through the outer gate as well as the inner gate, please follow steps 15-17. If your blind has a cord through only the inner gates, please proceed to step 18.



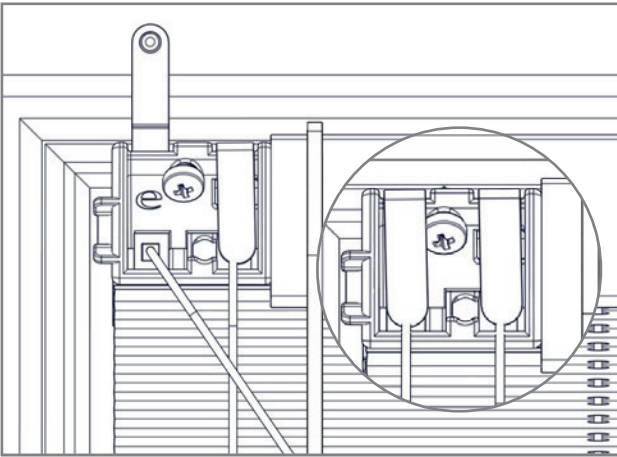
15. To continue tensioning the blind, open the outer gate from the headrail endcap. Repeat for the other headrail endcap.

Only applicable with a 4 cord blind.



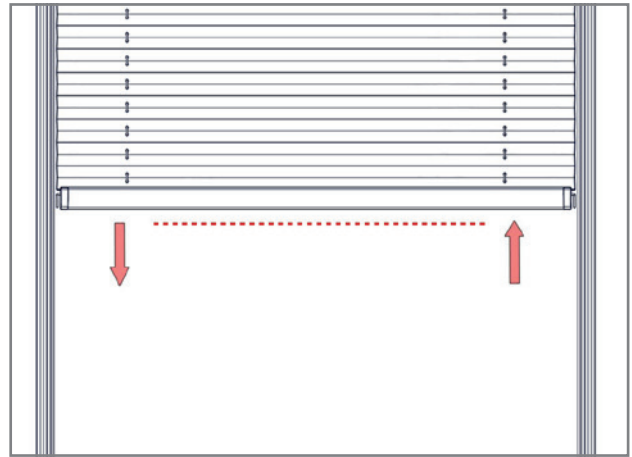
16. Slowly pull the cords at equal amounts centrally until you feel resistance on both cords.

Only applicable with a 4 cord blind.

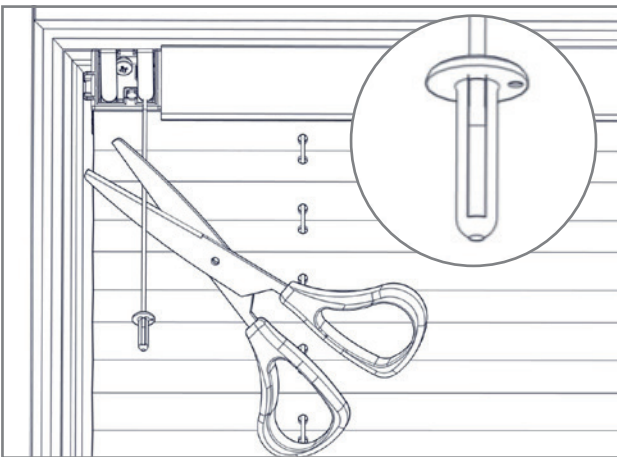


17. Whilst keeping the cords resistance, close the gate to secure the cord. Repeat this with the gate on the other corner of the blind.

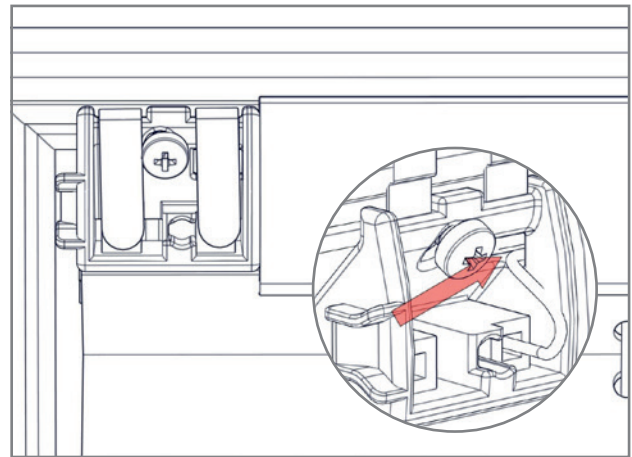
Only applicable with a 4 cord blind.



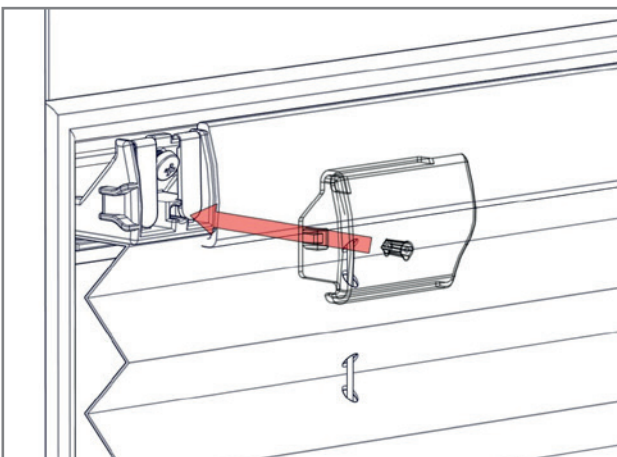
18. Cut and remove the elastic bands from the blind. Test the tension by raising the blind, ensure it stays fully raised when released. Ensure bottom bar is straight by adjusting it from side to side. Repeat steps 12-17 if required.



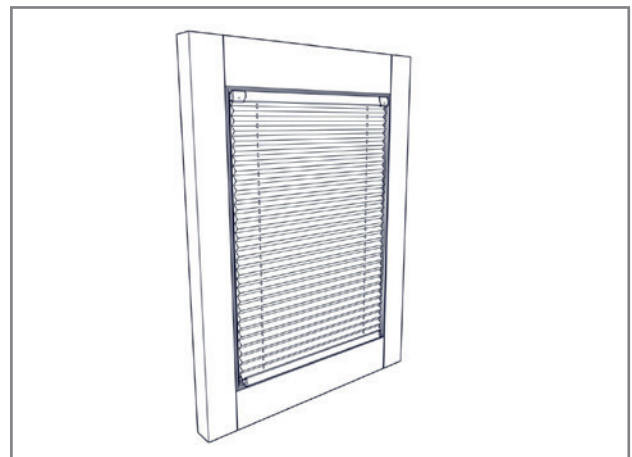
19. When satisfied with the tension, shorten the cords dangling out of the closed gate to approx. 10cm/4inches. Ensure grommet located on the cord is removed and disposed.



20. Pass the shortened cord through the gap located on the inside of the endcap to hide it. Ensure the gates are closed when doing this. Repeat on the other side.



21. Re-attach the endcap covers by aligning the central post with the central hole on the endcap. Push the endcap cover in fully until a click is heard. Ensure the blind is lowered before doing this to prevent catching the fabric.



22. Your blind is now fully installed and ready to use.

CONTACT INFORMATION



Call : 01625 442899

Email : aftercare@vufold.co.uk

Web : www.vufold.co.uk



VUFOLD®