

# Installing Interior Folding Room Divider Sets- WITH A THRESHOLD

**IMPORTANT:** The outer frame height of this door set will increase to 2027mm high when INCLUDING the optional threshold. These instructions are to be used in conjunction with the main installation book supplied.

## With A Threshold Additional Contents

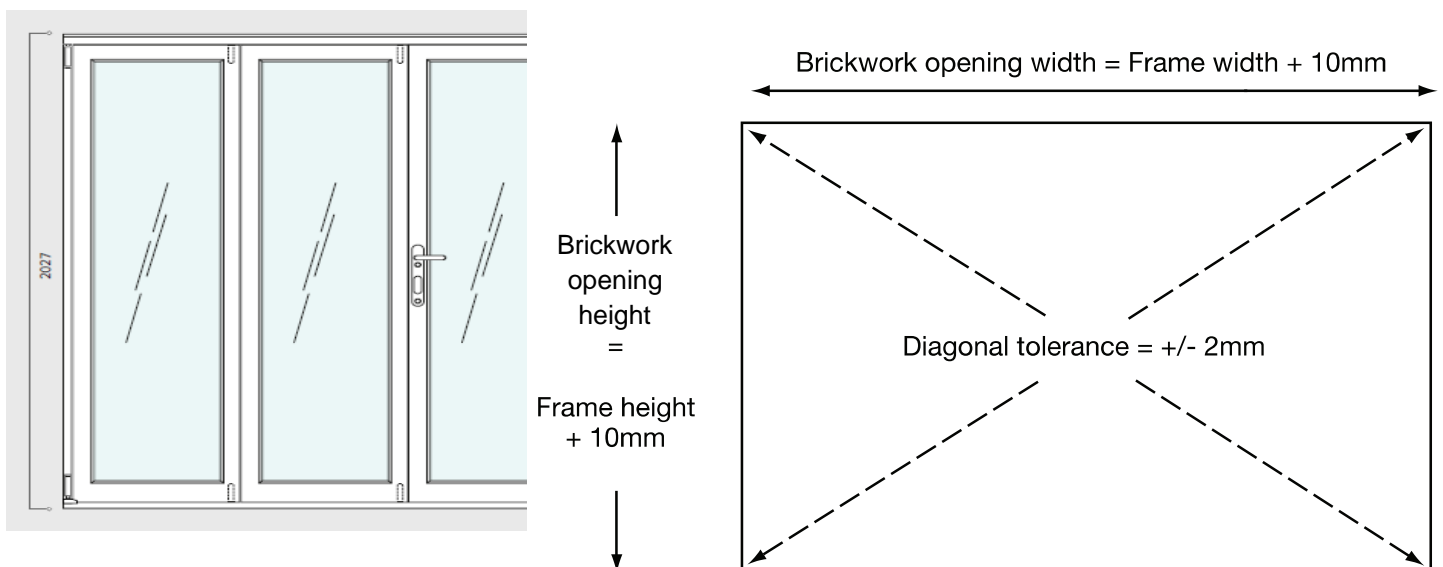
Timber parts:

Threshold - Quantity 1 } 40INS08CILL 2390mm L x 114mm D x 20mm H  
40INS09CILL 2690mm L x 114mm D x 20mm H

Fixings:

M5 x 70mm Wood Screws - Quantity 4

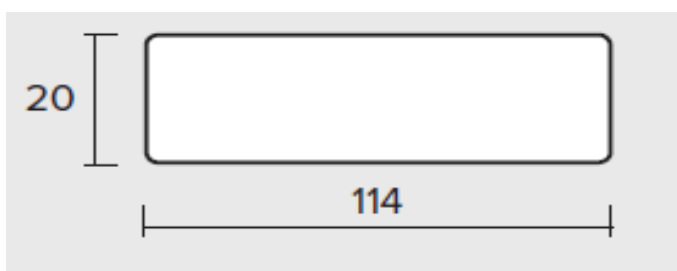
## Preparing The Site



The outer frame height of this door set WITH A THRESHOLD is 2027mm high. The recommended opening height would be + 10mm, i.e 2037mm high.

**IMPORTANT:** Before preparing the opening, first decide what flooring will be used and its thickness.

It may be possible to sink the threshold into your existing flooring OR build your flooring up to the top of the threshold to give an almost seamless finish. Please remember to adjust the height and position of your opening accordingly.

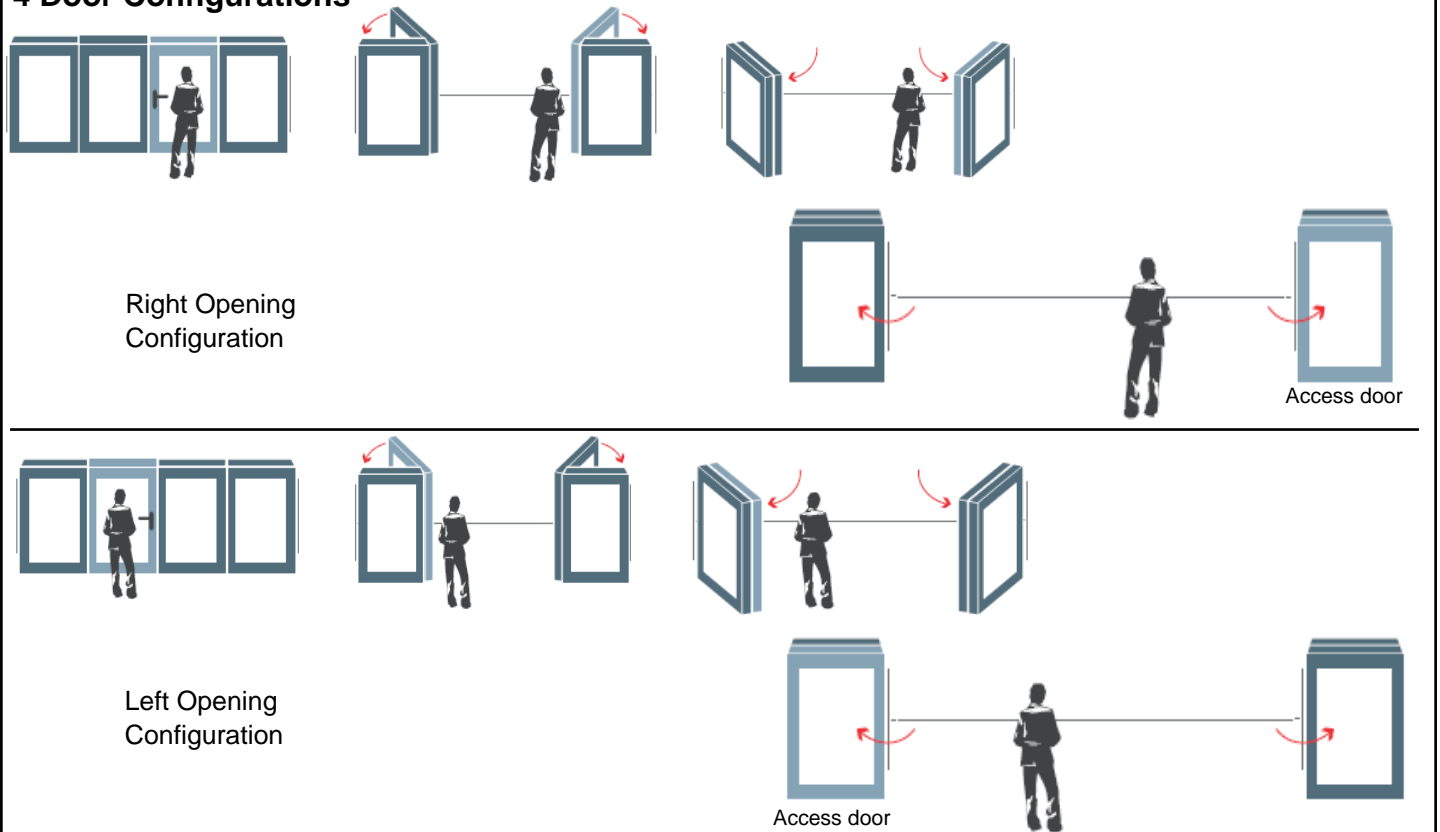


Threshold dimensions

# Interior Folding Room Divider Set Configurations

The outer frame can be rotated 180 degrees upon install to allow the doors to be opened towards or away from you.

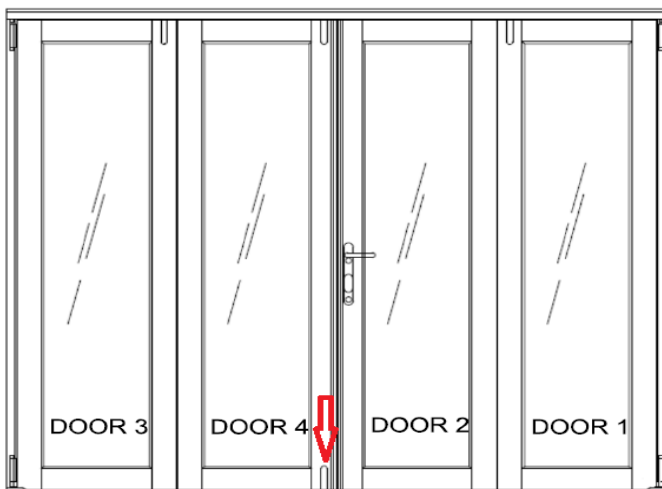
## 4 Door Configurations



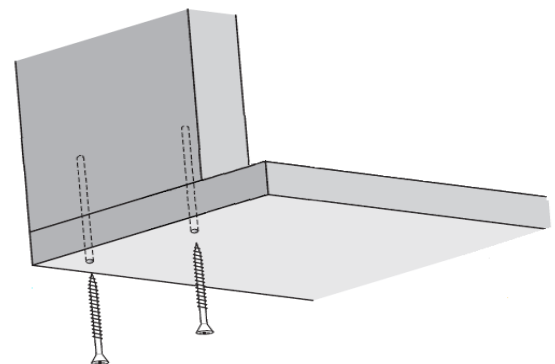
## Assembling The Frame Threshold And Jambs

**IMPORTANT:** the overhang on the threshold must be on the same side as the overhang on the frame head. This is the side the doors will ultimately fold round against the wall on.

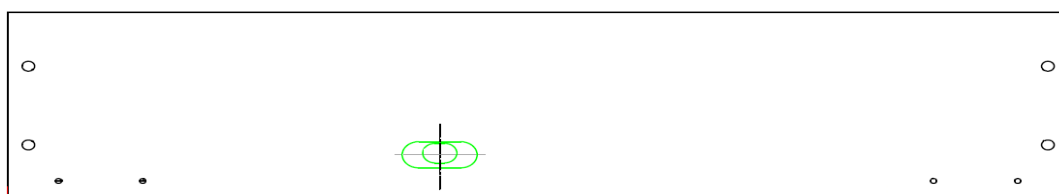
The threshold has a cut out for the drop bolt located on door 4. Ensure you position the cill correctly so the machining in the threshold is located under door 4, rather than under the access door (door 2).



Example shown is Right Opening configuration



Using the M5 x 70mm wood screws provided attach the threshold to the outer frame jambs.



2390mm wide set = 1148mm  
2690mm wide set = 1298mm